



XIANG YI
INTERNATIONAL LTD.



**INHERITED
INTEGRITY
INNOVATION**

Marine Hardware 

Valve 

Pipe Fitting 

Hydraulic Accessories 

Marine Hardware

Seacock	01
Bronze Thru-Hull	02
Scoop Thru-Hull	03
Seawater Strainers	04
Thru-Hull Lock Nut	04
Strainer	06
Scoop Strainers	07
Rectangle Intake Strainers	08
Hose Thru-Hull	09

Bronze/Brass Pipe Fitting

Double Barbed Fitting	10	Plug Fitting	25
Elbow Barbed Fitting	11	Elbow Thread Fitting	26
T Barbed Fitting	12	Male Thread Fitting-1	27
Female & Barbed Fitting-1	13	Male Thread Fitting-2	28
Female & Barbed Fitting-2	14	Bronze Street Elbow	29
Male & Barbed Fitting-1	15	Bushing Thread Fitting-1	30
Male & Barbed Fitting-2	16	Bushing Thread Fitting-2	31
Male & Barbed Fitting-3	17	Male Thread Tee	32
Male & Barbed Fitting-4	18	Female/Male Thread Fitting	33
Elbow Tail 45°	19	Female Thread Fitting	34
Elbow Tail Fitting-1	20	Female Connector Elbow	35
Elbow Tail Fitting-2	21	Female Connector Tee	36
Elbow Tail Fitting-3	22		
Female Hose Tail Fitting-1	23		
Female Hose Tail Fitting-2	24		

Brass Tube Fitting

JIC 45° Flare Nut Fitting	37
Male JIC 45° Flare Fitting	38
Elbow JIC 45° Flare Elbow	39
Female/Male JIC 45° Flare Fitting	40
BSPT / Male JIC 45° Flare Fitting-1	41
BSPT / Male JIC 45° Flare Fitting-2	42
BSPT/Male JIC 45° Flare Elbow Fitting-1	43
BSPT/Male JIC 45° Flare Elbow Fitting-2	44
Male JIC 45° Flare/Hose Fitting	45
JIC 45° Flare Tee Fitting	46
BSPT/JIC 45° Flare Tee Fitting	47

304/316 Stainless Steel Fitting

304/316 Stainless Steel Thru-Hull	48	304/316 Reducer M/F	61
304/316 Stainless Steel Scoop Thru-Hull	49	304/316 Nipple	62
304/316 Stainless Steel Vent	50	304/316 Reducing Nipple	63
Strainless Steel Deck Fill	50	304/316 Plug	64
304/316 Elbow	51	304/316 Bushing	65
304/316 Reducing Elbow-1	52	304/316 Union	67
304/316 Reducing Elbow-2	53	304/316 Cross	68
304/316 Elbow 45°	54	304/316 Cap	69
304/316 Street Elbow	55	Hose Connector-1	70
304/316 Tee	56	Hose Connector-2	71
304/316 Reducing Tee	57	304 Stud Connector-1	72
304/316 Socket	58	304 Stud Connector-2	73
304/316 Reducing Socket-1	59	304 Forging Stud Elbow-1	74
304/316 Reducing Socket-2	60	304 Forging Stud Elbow-2	75

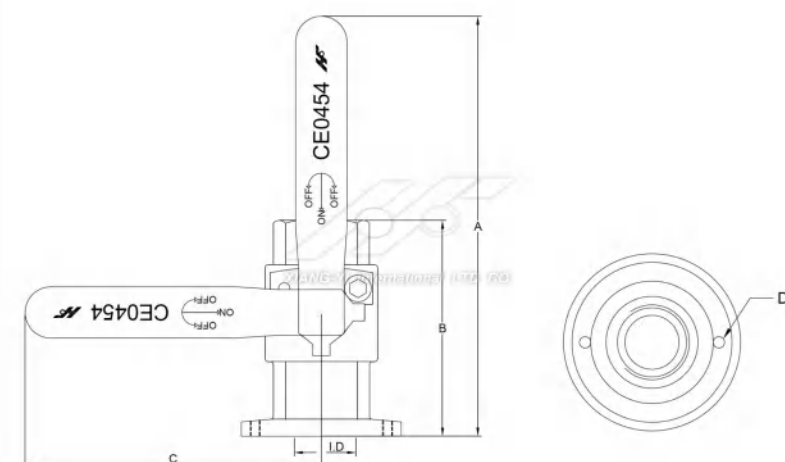
Valve

304/316 Ball Valve-Full Flow	76
Brass Forging 2-PC Ball Valve Valve-Full Flow	77
Brass Check Valve	77
Brass Vertical Check Valve	77
Brass/Bronze Gate Valve	77
304/316 Vertical Check Valve	78
304/316 1PC Ball Valve	78
304/316 Y Type Strainer	78

HOSE

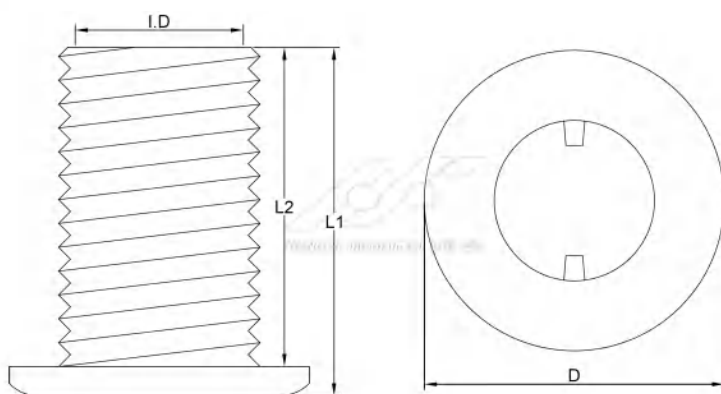
FLEX RUBBER HOSE	79
OIL & HEAT-RESISTANCE	80
TEST REPORT	81





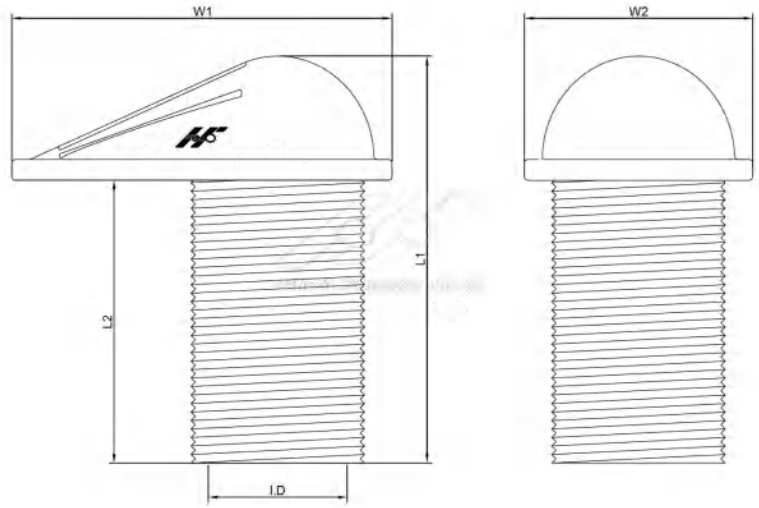
Seacock

Specification	Model No.	A	B	C	D	Thread-BSPT		
3/4"	CH20006	148	75	105	4	24.1		
1"	CH20010	185	91.7	132	4	30.3		
1-1/4"	CH20012	187	99	131.5	4	39		
1-1/2"	CH20014	230	112.3	170	4	44.9		
2"	CH20020	239	129	168	4	56.7		
2-1/2"	CH20024	271	149	194	4	72.2		
3"	CH20030	334	172	243	4	85.9		
4"	CH20040	459	224	334	4	110.1		
5"	CH20050	502	288	334	4	136		



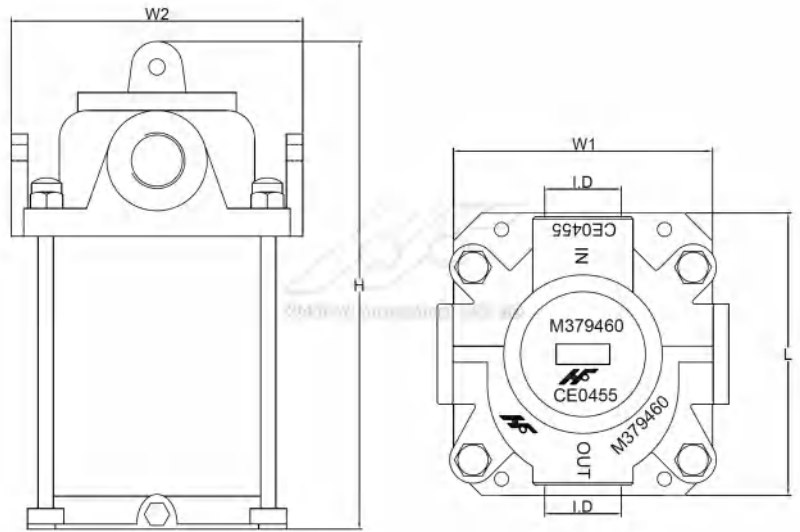
Bronze Thru-Hull

Specification	Model No.	I.D	L1	L2	D	Thread-BSPP		
3/4"	CH60006	19	80.9	75.2	50.5	26.4		
1"	CH60010	25.2	83	76	57.6	33.3		
1-1/4"	CH60012	31	83	76.4	67	41.9		
1-1/2"	CH60014	39	83	76.4	72.4	47.8		
2"	CH60020	50.1	89.1	79.9	94.5	59.6		
2-1/2"	CH60024	64	395	86	109.2	75.2		
3"	CH60030	75	101.2	93.6	124	87.9		
4"	CH60040	96.6	148	135.9	155	133		
5"	CH60350	121.1	124	107	201.1	139.8		



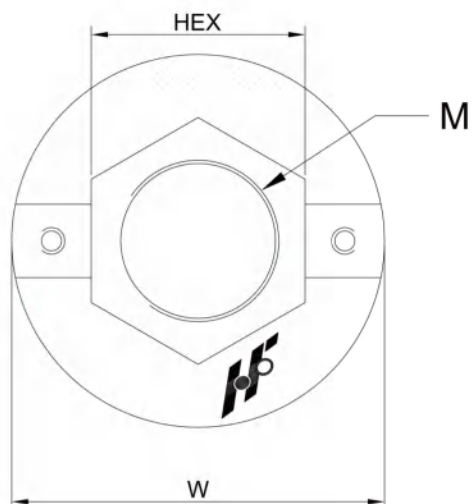
Scoop Thru-Hull

Specification	Model No.	I.D	W1	W2	L1	L2	Thread-BSPP	
3/4"	CH61006	19.5	83.1	62.2	101	72.4	26.4	
1"	CH61010	25	89.9	67	118.3	88.5	33.3	
1-1/4"	CH61012	34	104	76.5	113.8	78.6	41.9	
1-1/2"	CH61014	38	105	75.5	112.5	78	47.8	
2"	CH61020	49.3	144	88.2	121.5	73.1	59.6	



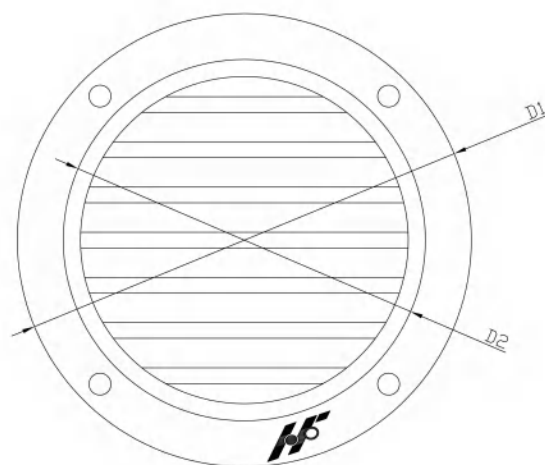
Seawater Strainers

Specification	Model No.	W1	W2	L	H	Thread-BSPT		
3/4"	CH61606	112.9	121	121.5	212	24.1		
1"	CH61610	120.8	121	122	215	30.3		
1-1/4"	CH61612	160	191	189	335	39		
1-1/2"	CH61614	161.5	191	190	335	44.9		
2"	CH61620	160.5	193	189	334	56.7		
2-1/2"	CH61624	212	217	242.5	407	72.2		
3"	CH61630	213	214	243	409	85.9		
4"	CH61640	213	215	242	435	110.1		
5"	CH61650	260	266.5	288	590	136		



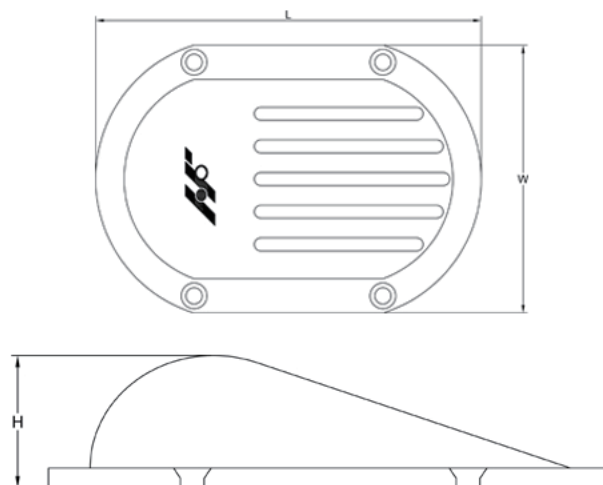
Thru-Hull Lock Nut

Specification	Model No.	W	HEX	Thread-BSPP				
3/4"	CH61206	57	32.3	24.1				
1"	CH61210	56.3	37.4	30.3				
1-1/4"	CH61212	72.3	47	39				
1-1/2"	CH61214	77	54.6	44.9				
2"	CH61220	92	66	56.7				
2-1/2"	CH61224	102.9	81.5	72.2				
3"	CH61230	126	96	85.9				
4"	CH61240	149	124.7	110.1				



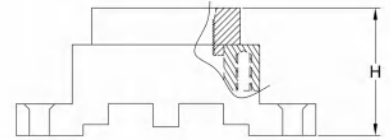
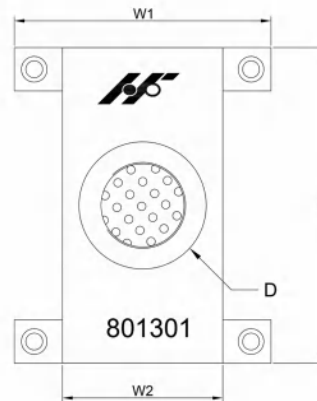
Strainer

Specification	Model No.	D1	D2						
3/4"	CH61106	92.8	74.5						
1"	CH61110	92.8	74.5						
1-1/4"	CH61112	122.9	102						
1-1/2"	CH61110	122.9	102						



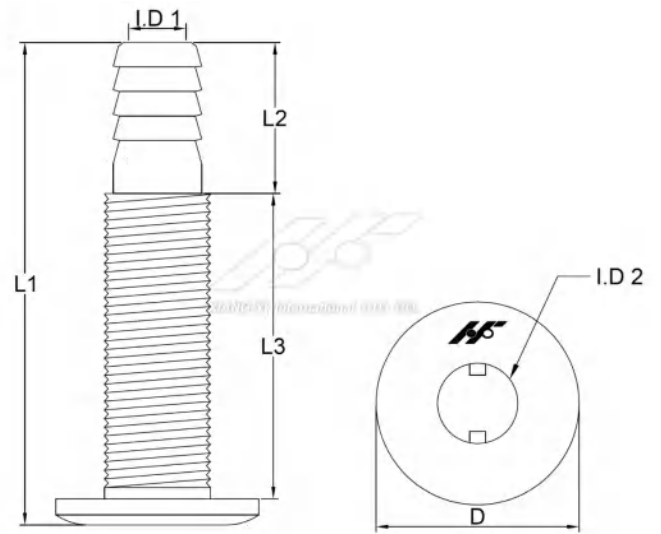
Scoop Strainers

Specification	Model No.	L	W	H					
3/4"	CH61106	118.5	82.5	29					
1"	CH61110	137	98	36					
2"	CH61120	165	131	40					
2-1/2"	CH61124	266	182.5	66					
3"	CH61130	266	182.5	66					
4"	CH61140	355	241	76					
5"	CH61150	398	301	122.8					



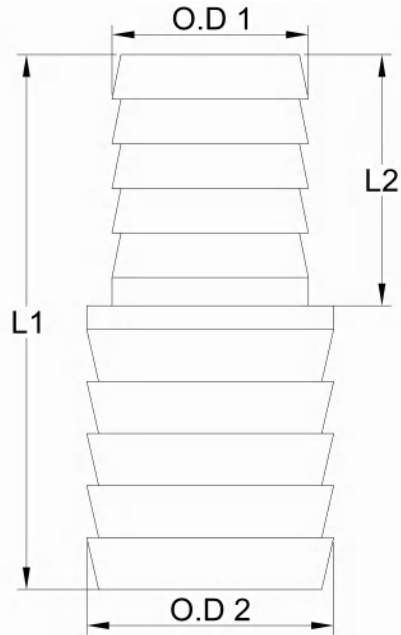
Rectangle Intake Strainers

Specification	Model No.	W1	W2	L	D	H	H		
3/4"	CH61406	76.5	48.2	94	37.4	30.2	30.2		
1"	CH61410	76.5	48.2	94	37.4	30.2	30.2		
1-1/4"	CH61412	93.6	74	145	55	39	39		
1-1/2"	CH61414	93.6	74	145	55	39	39		



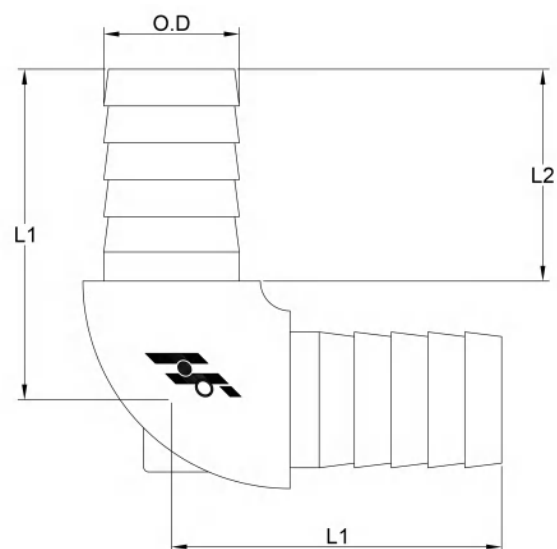
Hose Thru-Hull

Specification	Model No.	I.D 1	I.D 2	L1	L2	L3	Thread-BSP	
1" *1"	CH60610	20	25.5	125.5	43	76.5	33.3	
1-1/4" *1-1/4"	CH60612	25	31.5	125.5	43	76.5	41.9	
1-1/2" *1-1/2"	CH60614	30.5	38	131	46	78.8	47.8	
2" *2"	CH60620	43	50.5	138	51.2	79	59.6	



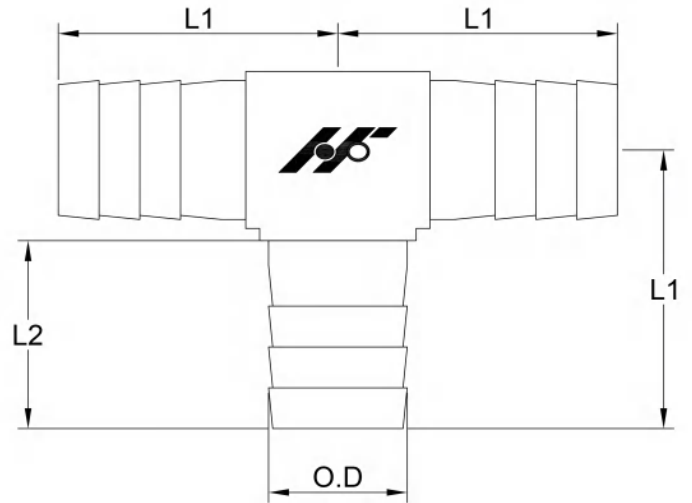
Double Barbed Fitting

Specification	Model No.	O.D	L1	L2					
3/16"	CE10011	5.5	42	15.5					
1/4"	CE10022	7	44	14					
5/16"	CE10025	9	50	19					
3/8"	CE10033	10.5	50	19					
1/2"	CE10044	13.5	55	21.3					
5/8"	CE10055	17.5	52.5	20					
3/4"	CE10066	20.6	50	18.8					
1"	CE11010	26.4	65	25					
1-1/4"	CE11212	33.3	85.8	42.9					
1-1/2"	CE11414	38.7	105.9	44.7					



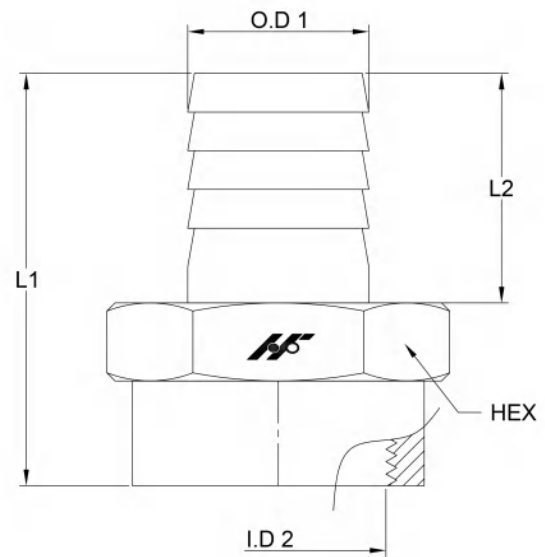
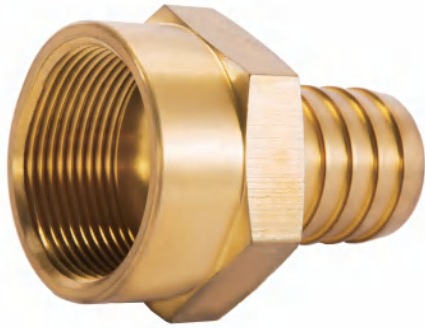
Elbow Barbed Fitting

Specification	Model No.	O.D	L1	L2					
1/4"	CE20022	7	29	20.5					
5/16"	CE20025	9	31.8	20.5					
3/8"	CE20033	10.5	31.5	20.5					
1/2"	CE20044	13.5	34	22.3					
5/8"	CE20055	17.5	28	15.3					
3/4"	CE20066	20.6	35.5	19					
1"	CE21010	26.4	66.7	41.2					
1-1/4"	CE21212	33.3	74	43					
1-1/2"	CE21414	38.7	74	47					
2"	CE22020	51.7	75.5	50					
2-1/2"	CE22424	63.7	107	64					
3"	CE23030	77	113.8	60.7					
4"	CE24040	104	133	71					



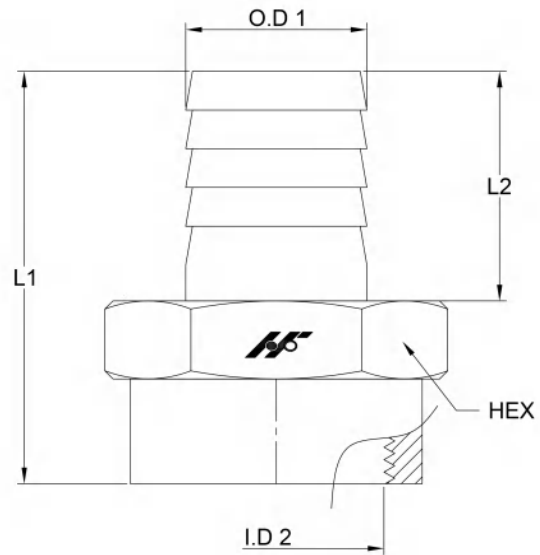
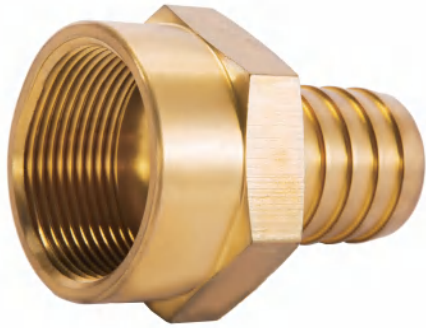
T Barbed Fitting

Specification	Model No.	O.D	L1	L2					
1/4"	CE71002	7	24.8	19					
5/16"	CE71002-5	9	28.8	21					
3/8"	CE71003	10.5	28.3	20					
1/2"	CE71004	13.5	30.5	23					
5/8"	CE71005	17.5	34.3	23.4					
3/4"	CE71006	20.6	35.6	23.4					
1"	CE71010	26.4	66.6	43.5					
1-1/4"	CE71012	33.3	62.3	39					
1-1/2"	CE71014	38.7	72.1	46					
2"	CE71020	51.7	74.3	44					



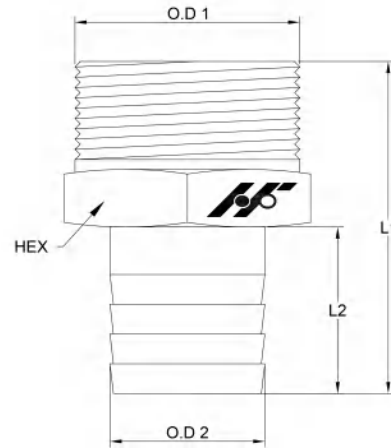
Female & Barbed Fitting-1

Specification	Model No.	O.D 1	L1	L2	HEX	Thread-BSPT	
1/4" *1/4"	CE50022	7.2	35	20	17	11.4	
1/4" 5/16"	CE50022-5	9	35	20	17	11.4	
1/4" *3/8"	CE50023	10.5	35	20	17	11.4	
3/8" *5/16"	CE50032-5	9	35	20	20.5	15	
3/8" *3/8"	CE50033	10	40	23	21	15	
3/8" *1/2"	CE50034	13.5	35	20.4	20.5	15	
1/2" *5/16"	CE50042-5	9	39	21	24.5	18.6	
1/2" *3/8"	CE50043	10.5	37.6	20.4	24	18.6	
1/2" *1/2"	CE50044-4	17	37.6	20.4	24	18.6	
1/2" *5/8"	CE50045-1	17	37.6	20.4	24	18.6	
1/2" *3/4"	CE50046-1	20	48	31.3	22	18.6	
3/4" *1/2"	CE50064-1	13	46	25.8	30	24.1	
3/4" *5/8"	CE50065-1	17.1	51	34	30	24.1	



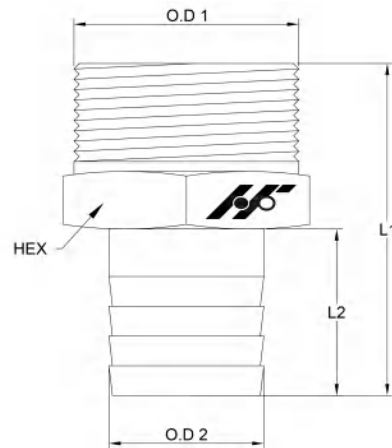
Female & Barbed Fitting-2

Specification	Model No.	O.D 1	L1	L2	HEX	Thread-BSPT	
3/4" *3/4"	CE50066-1	20	46	26.6	30	24.1	
3/4" *1"	CE50068	26.4	55.3	38	35	24.1	
1" *3/4"	CE51006	20	60	34.6	35	30.3	
1" *1"	CE51010	27	71	41	44.1	30.3	
1" *1-1/4"	CE51012	33.2	64	39.4	37	30.3	
1-1/4" *1"	CE51210	26	73	37	27.6	39	
1-1/2" *1"	CE51410	26	73	37.2	27.2	44.9	
1-1/2" *1-1/4"	CE51412	33.2	83.6	45	45	44.9	
1-1/2" *1-1/2"	CE51414	39	72.6	46.2	55	44.9	
1-1/2" *2"	CE51420	51.7	90.9	48.8	60.1	44.9	



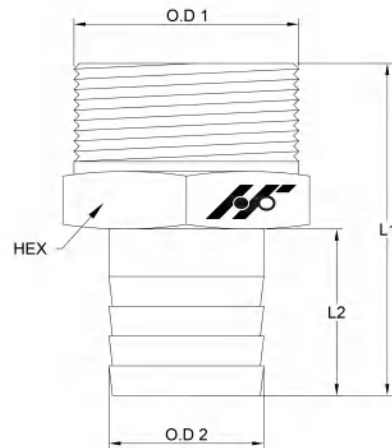
Male & Barbed Fitting-1

Specification	Model No.	O.D 2	L1	L2	HEX	Thread-BSPT	
1/8" *1/4"	CE30012	7	32	20	10	9.7	
1/8" *5/16"	CE30012-5	9	32	20	10	9.7	
1/8" *3/8"	CE30013	10.5	32	20.4	11	9.7	
1/8" *1/2"	CE30014	13.5	33	20.4	14	9.7	
1/4" *1/4"	CE30022	7	35.9	20.6	17	13.2	
1/4" 5/16"	CE30022-5	9	35	20.4	14	13.2	
1/4" *3/8"	CE30023	10.5	35	20.4	14	13.2	
1/4" *1/2"	CE30024	13.5	35	20	14	13.2	
1/4" *5/8"	CE30025	17.5	40	23.4	17	13.2	
3/8" *1/4"	CE30032	7	35.9	20.4	17	16.7	
3/8" *3/8"	CE30033	10.5	36	20.4	17	16.7	
3/8" *1/2"	CE30034	13.5	36	20	17	16.7	
3/8" *5/8"	CE30035	17.5	36	20	17	16.7	
3/8" *3/4"	CE30036	20.6	39.2	22	21	16.7	



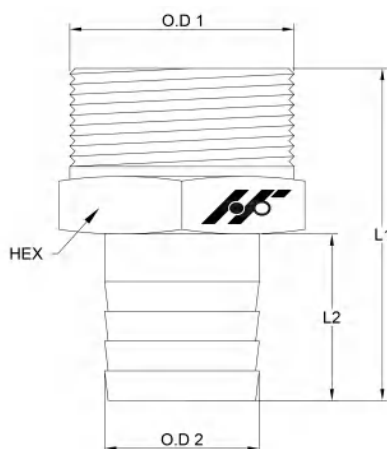
Male & Barbed Fitting-2

Specification	Model No.	O.D 2	L1	L2	HEX	Thread-BSPT	
1/2" *1/4"	CE30042	7	38	20.4	20.7	21	
1/2" *5/16"	CE30042-5	9	38	20	21	21	
1/2" *3/8"	CE30043	10.5	38	20.4	20.7	21	
1/2" *1/2"	CE30044	13.5	54	32.5	22	21	
1/2" *5/8"	CE30045	17.5	54	32.3	22	21	
1/2" *3/4"	CE30046	20.6	54	32.4	22	21	
3/4" *3/8"	CE0063	10.5	41	20.5	27	26.4	
3/4" *1/2"	CE30064	13.5	54	33.8	28	26.4	
3/4" *5/8"	CE30065	17.5	52.4	28.5	28	26.4	
3/4" *3/4"	CE30066	20.6	55	32.5	28	26.4	
3/4" *1"	CE30068	26.4	63	37.3	28	26.4	
1" *3/4"	CE31006	20.6	59	32.3	34	33.3	
1" *1"	CE31010	26.4	63	37.3	34	33.3	
1" *1-1/4"	CE31012	33.3	65.3	34.8	35	33.3	



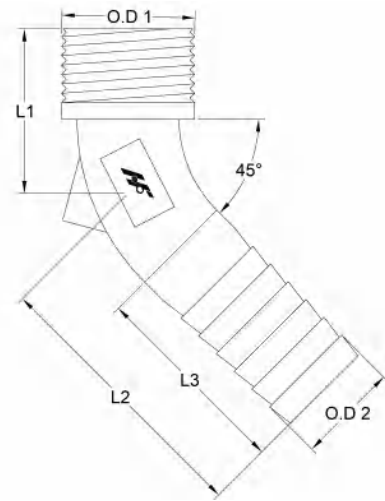
Male & Barbed Fitting-3

Specification	Model No.	O.D 2	L1	L2	HEX	Thread-BSPT	
1" *1-1/2"	CE31014	38.7	82.9	52.3	42.3	33.3	
1-1/4" *1"	CE31012	26.4	78	45	44	41.9	
1-1/4" *1-1/4"	CE31212	33.3	77.3	45	44	41.9	
1-1/4" *1-1/2"	CE31012	38.7	77.3	45	44	41.9	
1-1/2" *1-1/4"	CE31412	33.3	22	36.2	52.5	47.8	
1-1/2" *1-1/2"	CE31414	38.7	74	38	52.8	47.8	
1-1/2" *2"	CE31420	51.7	86	49	52.8	47.8	
2" *1"	CE32010	26.4	74	38	27.2	59.6	
2" *1-1/2"	CE32014	38.7	81.5	43	27.2	59.6	
2" *2"	CE32020	51.7	92.4	49	60	59.6	
2" *2-1/2"	CE32024	63.7	104	63	60	59.6	
2-1/2" *2-1/2"	CE32424	63.7	72.5	62.5	77.5	75.2	
3" *2-1/2"	CE33024	63.7	106.8	56.5	90	87.9	
3" *3"	CE33030	77	112.5	62.3	91	87.9	



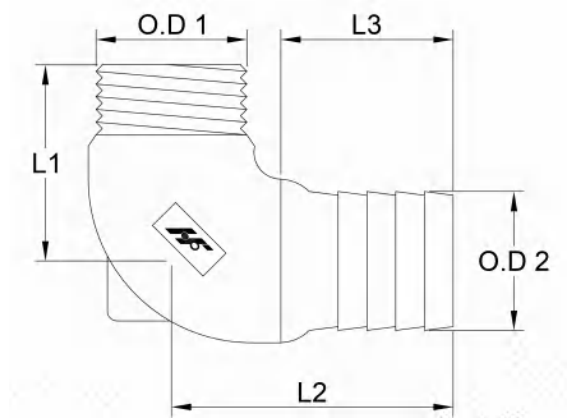
Male & Barbed Fitting-4

Specification	Model No.	O.D 2	L1	L2	HEX	Thread-BSPT	
4" *3"	CE34030	77	125.6	65	116	133	
4" *4"	CE34040	104	137	79	114.5	133	
5" *4"	CE65040	104	146	82	142	139.8	
5" *5"	CE35050	127.9	145	80	142	139.8	



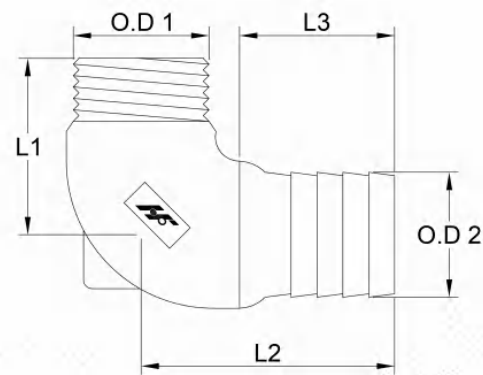
Elbow Tail 45°

Specification	Model No.	O.D 2	L1	L2	L3	Thread-BSPT
3/4" *3/4"	CE46066	20.6	29	46.5	40	26.4
1" *1"	CE46110	26.4	32	54	42	33.3
1-1/4" *1-1/4"	CE46122	33.3	41	59.5	45	41.9
1-1/2" *1-1/2"	CE46144	38.7	43	6	48.5	47.8
1-1/2" *2"	CE46148	51.7	57	71	54	47.8
2" *2"	CE46220	51.7	49	82.5	64.1	59.6
2" *2-1/2"	CE46224	63.7	51.5	84	62.6	59.6
2-1/2" *2"	CE46242	51.7	50	79	58	59.6
2-1/2" *2-1/2"	CE46244	63.7	53.5	82	63	75.2
3" *2-1/2"	CE46324	63.7	58	83.5	61.3	87.9
3" *3"	CE46330	77	59	83	60.5	87.9
4" *3"	CE46430	77	65	97	75	133
4" *4"	CE46440	104	65	105	77	133
5" *5"	CE46550	127.9	86	119	87	139.8



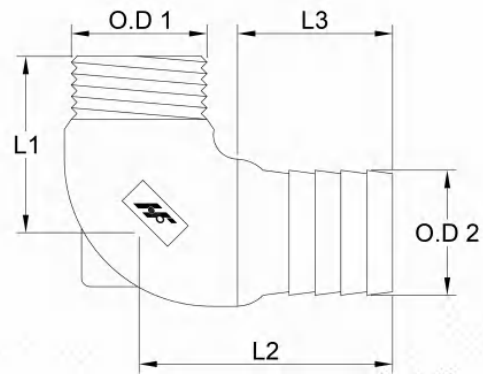
Elbow Tail Fitting-1

Specification	Model No.	O.D 2	L1	L2	L3	Thread-BSPT
1/8" *1/4"	CE40012	7	19.2	28.3	20.3	9.7
1/8" *5/16"	CE40012-5	9	17.4	27.4	20	9.7
1/8" *3/8"	CE40013	10.5	23.2	30.3	20	9.7
1/4" *1/4"	CE40022	7	22.7	31.2	20.3	13.2
1/4" 5/16"	CE40022-5	9	22.2	31.5	20.3	13.2
1/4" *3/8"	CE40023	10.5	22.8	31.2	22.5	13.2
1/4" *1/2"	CE40024	13.5	24.9	33.1	21.6	13.2
1/4" *5/8"	CE40025	17.5	31.7	33.6	22.2	13.2
3/8" *1/4"	CE40032	7	26.6	35	23.6	16.7
3/8" *3/8"	CE40033	10.5	22.3	31.4	22.1	16.7
3/8" *1/2"	CE40034	13.5	24.4	32.1	21.1	16.7
3/8" *5/8"	CE40035	17.5	24.6	30.3	18	16.7
3/8" *3/4"	CE40036	20.6	32.8	35.3	19.2	16.7
1/2" *1/4"	CE40042	7	26.9	31.9	20	21



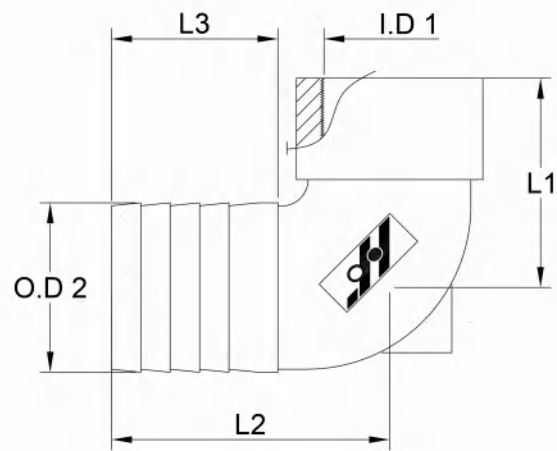
Elbow Tail Fitting-2

Specification	Model No.	O.D 2	L1	L2	L3	Thread-BSPT
1/2" *5/16"	CE40042-5	9	26.3	33.2	20.3	21
1/2" *3/8"	CE40043	10.5	25.9	33.5	22.4	21
1/2" *1/2"	CE40044	13.5	35.6	51	32	21
1/2" *5/8"	CE40045	17.5	31.5	50.6	32.4	21
1/2" *3/4"	CE40046	20.6	31.6	49.8	32.2	21
3/4" *1/2"	CE40064	13.5	33.5	51.7	32.6	26.4
3/4" *5/8"	CE40065	17.5	33	52	31.6	26.4
3/4" *3/4"	CE40066	20.6	31.4	52.6	32.6	26.4
3/4" *1"	CE40068	26.4	37	59	41.5	26.4
1" *3/4"	CE41006	20.6	41	57	34.5	33.3
1" *1"	CE41010	26.4	43	66.8	43.8	33.3
1" *1-1/4"	CE41012	33.3	41.8	63.8	43.3	33.3
1" *1-1/2"	CE14014	38.7	47.5	76.4	48.8	33.3
1-1/4" *1"	CE41210	26.4	44.5	69.8	43.3	41.9
1-1/4" *1-1/4"	CE41212	33.3	47.4	70	44	41.9



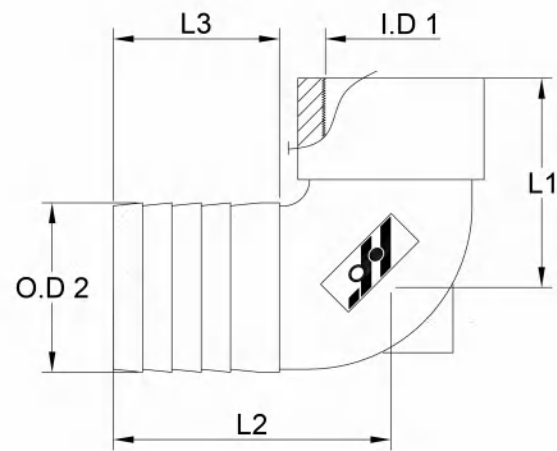
Elbow Tail Fitting-3

Specification	Model No.	O.D 2	L1	L2	L3	Thread-BSPT
1-1/4" *1-1/2"	CE41214	38.7	51.5	76	47.5	41.9
1-1/2" *1-1/4"	CE41412	33.3	52	78	44	47.8
1-1/2" *1-1/2"	CE41414	38.7	52	78	50.5	47.8
1-1/2" *2"	CE41420	51.7	62	85.5	50.9	47.8
2" *1-1/2"	CE42420	38.7	53.3	77.1	49.5	59.6
2" *2"	CE42020	51.7	63	85.5	51.5	59.6
2" *2-1/2"	CE42024	63.7	70.5	103.1	62	59.6
2-1/2" *2"	CE42420	51.7	73	108.1	51.2	75.2
2-1/2" *2-1/2"	CE42424	63.7	75.3	104.6	62.7	75.2
2-1/2" *3"	CE42430	77	82.9	111.8	38	75.2
3" *2-1/2"	CE43024	63.7	75.9	106.5	56.9	87.9
3" *3"	CE43030	77	78.3	110	62.1	87.9
4" *3"	CE44030	77	84	123	63.3	133
4" *4"	CE44040	104	99.5	133.5	74.5	133
5" *5"	CE45050	127.9	118	164	88	139.8



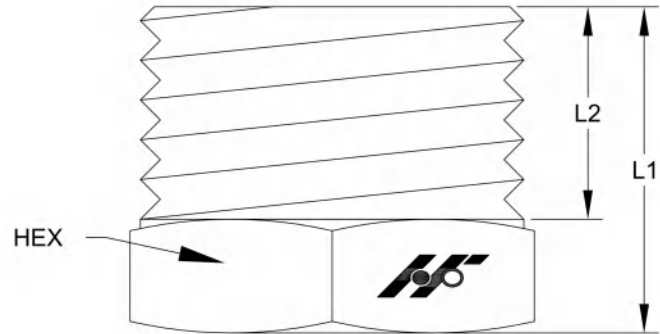
Female Hose Tail Fitting-1

Specification	Model No.	O.D 2	L1	L2	L3	Thread-BSPT
3/8" *3/8"	CE60033	10.5	32.3	36.1	23	15
3/8" *1/2"	CE60034	13.5	32.3	35.8	21.6	15
3/8" *5/8"	CE60035	17.5	35.2	33.3	20.3	15
1/2" *3/8"	CE60043	10.5	39.2	41.5	224.3	18.6
1/2" *1/2"	CE60044	13.5	33.8	53	33.3	18.6
1/2" *5/8"	CE60045	17.5	34.3	53.2	32.3	18.6
1/2" *3/4"	CE60046	20.6	34.2	52.7	32.5	18.6
3/4" *1/2"	CE60064	13.5	31.3	50.8	28	24.1
3/4" *5/8"	CE60065	17.5	43	57.6	34.8	24.1
3/4" *3/4"	CE60066	20.6	44.3	57.4	35.5	24.1
3/4" *1"	CE60068	26.4	47	66	43	24.1
1" *1"	CE61010	26.4	46.8	67	42.5	30.3
1" *1-1/4"	CE61012	33.3	48.2	69.5	42.1	30.3
1" *1-1/2"	CE61014	38.7	49	75.7	48.6	30.3



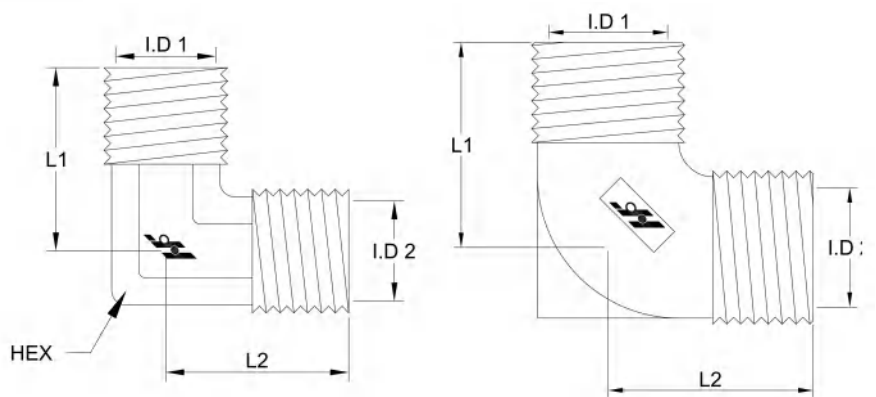
Female Hose Tail Fitting-2

Specification	Model No.	O.D 2	L1	L2	L3	Thread-BSPT
1-1/4" *1-1/4"	CE61212	33.3	51	74	43.4	39
1-1/4" *1-1/2"	CE61214	38.7	52.3	77.4	49.5	39
1-1/2" *1"	CE61410	26.4	53.4	74.8	42	44.9
1-1/2" *1-1/4"	CE61412	33.3	52.8	74.2	47	44.9
1-1/2" *1-1/2"	CE61414	38.7	53.7	77	49	44.9
1-1/2" *2"	CE61420	51.7	63.3	75.8	51	44.9
2" *2-1/2"	CE62014	63.7	63.2	87	50	56.7
2" *2"	CE62020	51.7	57	78	49.6	56.7



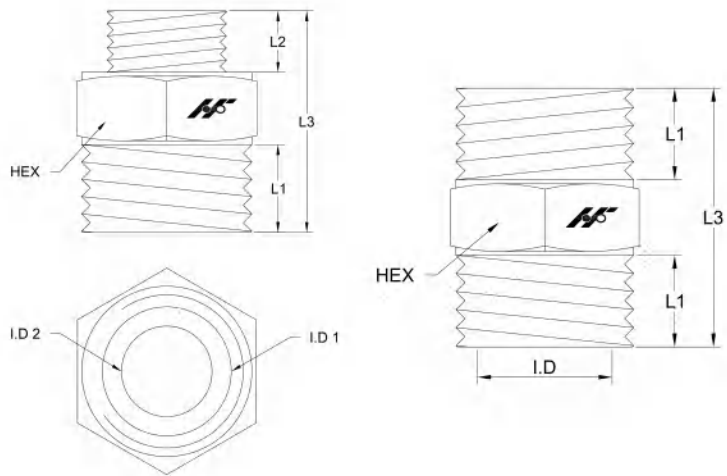
Plug Fitting

Specification	Model No.	HEX	L1	L2	Thread-BSPT			
1/8"	CD00201	10	11.8	8.55	9.7			
1/4"	CD00202	14	17	12.5	13.2			
3/8"	CD00203	17	17	12.5	16.7			
1/2"	CD00204	21	21	15.6	21			
3/4"	CD00206	28	25	16	26.4			
1"	CD00210	35	27.2	18.3	33.3			
1-1/4"	CD00212	45	27	18	41.9			
1-1/2"	CD00214	51	39.8	24	47.8			
2"	CD00220	42	38.3	27.2	59.6			



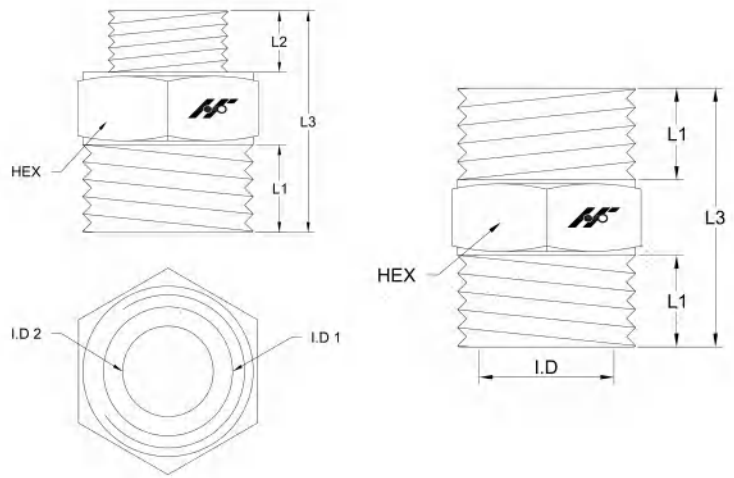
Elbow Thread Fitting

Specification	Model No.	I.D 1	I.D 2	L1	L2	HEX	Thread-BSPT 1	Thread-BSPT 2
1/8" *1/8"	CD20011	5.3	5.3	20	20	9	9.7	9.7
1/4" *1/8"	CD20021	8	5.3	23.6	19.6	11	13.2	9.7
1/4" *1/4"	CD20022	8.5	8.5	24.4	24.4	10.2	13.2	13.2
3/8" *1/4"	CD20032	11	8.5	24.8	24.5	11	16.7	13.2
3/8" *3/8"	CD20033	11	11	24.8	24.8	13.1	16.7	16.7
1/2" *1/4"	CD20042	15	7.1	28.5	28.7	13	21	13.2
1/2" *3/8"	CD20043	13	10.5	34.2	32.9	17.2	21	16.7
1/2" 1/2"	CD20044	14	14	28.4	28.4	14.5	21	21
3/4" *1/2"	CD20064	19	15.9	41.4	35	22.3	26.4	21
3/4" *3/4"	CD20066	19.2	19.2	34.8	34.8		26.4	26.4
1" *3/4"	CD21006	24.7	18.6	43.5	43.5		33.3	26.4
1" *1"	CD21010	24.6	24.6	41.1	41.1		33.3	33.3
2" *2"	CD22020	49	49	68.3	68.3		59.6	59.6



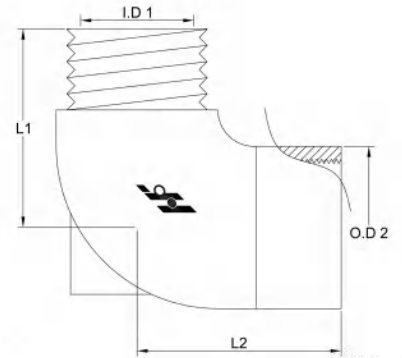
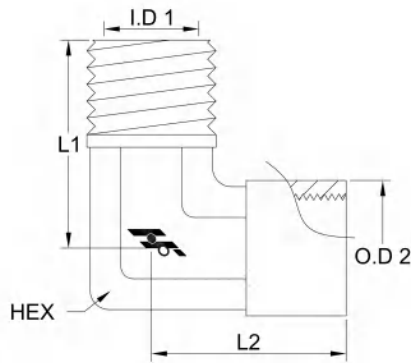
Male Thread Fitting-1

Specification	Model No.	I.D 1	I.D 2	L1	L2	L3	HEX	Thread-BSPT 1	Thread-BSPT 2
1/8" * 1/8"	CD10011	6	6	8.5		21	10	9.7	9.7
1/4" * 1/8"	CD10021	8.9	6	10.5	8.2	23	14	13.2	9.7
1/4" * 1/4"	CD10022	8.8	8.8	10.5		25	14	13.2	13.2
3/8" * 1/4"	CD10032	10	8	14.4	12.3	34	19	16.7	13.2
3/8" * 3/8	CD10033	12	12	11.5		27	17	16.7	16.7
1/2" * 1/4"	CD10042	15	8.8	13	11.6	28	20.7	21	13.2
1/2" * 3/8"	CD10043	15	12	13	11.6	28	20.7	21	16.7
1/2" * 1/2"	CD10044	13.6	13.6	14		38	21	21	21
3/4" * 3/8"	CD10063	19	10	18.5	14.6	42	28	26.4	16.7
3/4" * 1/2"	CD10064	19.5	15	14	13.5	33	27	26.4	21
3/4" * 3/4"	CD10066	20	20	15		36.9	28	26.4	26.4
1" * 1/2"	CD11004	25	14	18	15	41.8	35	33.3	21
1" * 3/4"	CD11006	26	19.8	18.8	16	41	35	33.3	26.4
1" * 1"	CD11010	25	25	18.1		48	35	33.3	33.3



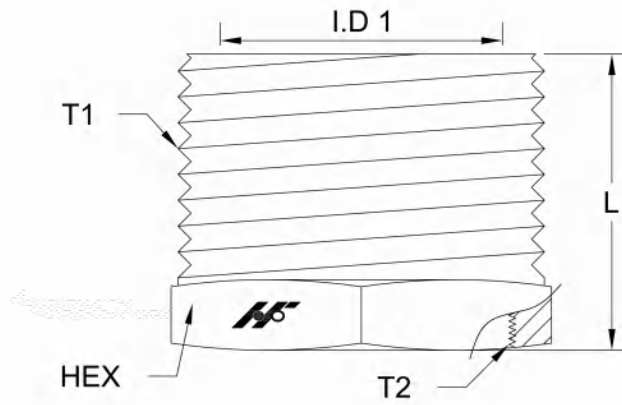
Male Thread Fitting-2

Specification	Model No.	I.D 1	I.D 2	L1	L2	L3	HEX	Thread-BSPT 1	Thread-BSPT 2
1-1/4" *1"	CD11210	30.5	25	28	20.5	60	45	41.9	33.3
1-1/4" *1-1/4"	CD11212	33	33	21	21	52.6	44.1	41.9	41.9
1-1/2" *1-1/2"	CD11414	38	38	24	24	64	51	47.8	47.8
2" *2"	CD12020	49	55	27	24	64.5	65.5	59.6	59.6



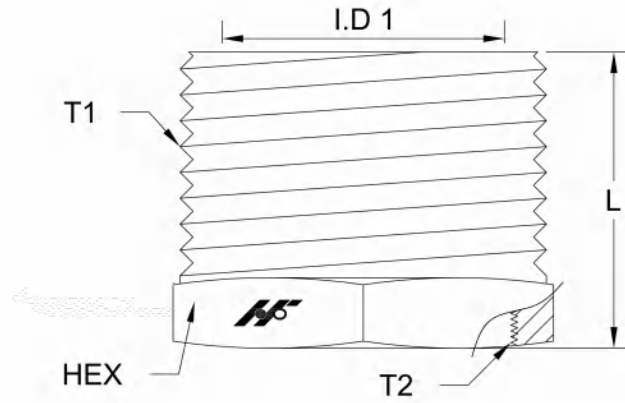
Bronze Street Elbow

Specification	Model No.	I.D 1	O.D 2	L1	L2	HEX	Thread-BSPT 1	Thread-BSPT 2
1/8" *1/8"	CD60011	5.5	16.2	20	12	14	9.7	8.6
1/8" *1/4"	CD60012	5.6	17.7	19.6	16.8	15	9.7	11.4
1/4" *1/4"	CD60022	8	21	24.6	20.9	18.4	13.2	11.4
1/4" *3/8"	CD60023	8	24.8	29.3	21	21	13.2	15
3/8" *3/8"	CD60033	11	24.8	30.7	20.3	21	16.7	15
3/8" *1/2"	CD60034	12.8	20.5	30.4	29.6	17.4	16.7	18.6
1/2" * 1/2"	CD60044	14.9	29.7	34.2	24		21	18.6
1/2" *3/4"	CD60046	14.5	35	40	33.5		21	24.1
3/4" *3/4"	CD60066	19	36	39	28.5		26.4	24.1
1" *1"	CD61010	25	38	45.5	48.5		33.3	30.3
1-1/4" *1-1/4"	CD61212	30	52.7	54.5	41.6		41.9	39
1-1/2" *1-1/2"	CD61414	37	59.4	60.2	40		47.8	44.9



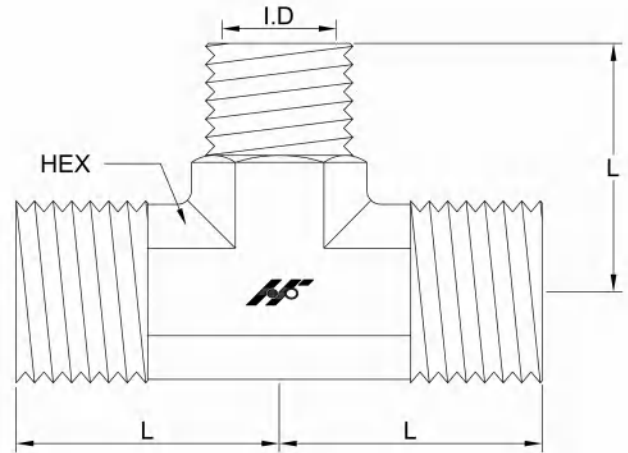
Bushing Thread Fitting-1

Specification	Model No.	I.D 1	L	HEX	Thread-BSPT 1	Thread-BSPT 2
1/4" *1/8"	CD30021	8.5	15	14	13.2	11.4
3/8" *1/8"	CD30031	12	16	17	16.7	15
3/8" *1/4"	CD30032	11.2	16	17	16.7	15
1/2" *1/8"	CD30041	15.2	19.5	20.6	21	18.6
1/2" *1/4"	CD30042	11.4	21	21	21	18.6
1/2" *3/8"	CD30043	15	17	21	21	18.6
3/4" *1/4"	CD30062	20	21	28	26.4	24.1
3/4" *3/8"	CD30063	20	20	27	26.4	24.1
3/4" *1/2"	CD30064	18.5	20	27	26.4	24.1
1" *3/8"	CD31003	24.5	25	35	33.3	30.3
1" *1/2"	CD31004	26	26	35	33.3	30.3
1" *3/4"	CD31006	24	26	35	33.3	30.3



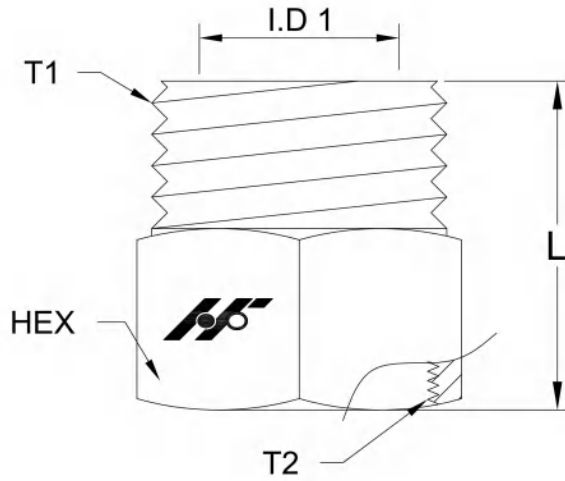
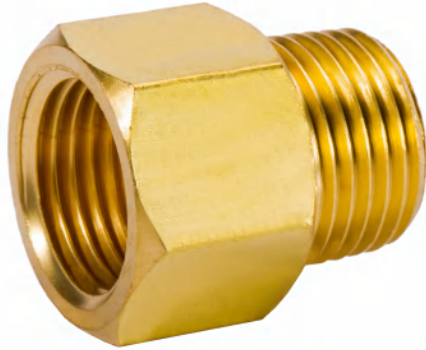
Bushing Thread Fitting-2

Specification	Model No.	I.D 1	L	HEX	Thread-BSPT 1	Thread-BSPT 2
1-1/4" *1/2"	CD31204	19	28	45.9	41.9	39
1-1/4" *1"	CD31210	30	28	45.8	41.9	39
1-1/2" *1-1/4"	CD31410	37.5	27.9	50	47.8	44.9
2" *1-1/4"	CD32012	47.6	29.6	61	59.6	56.7
2" *1-1/2"	CD32014	49	31	63.8	59.6	56.7



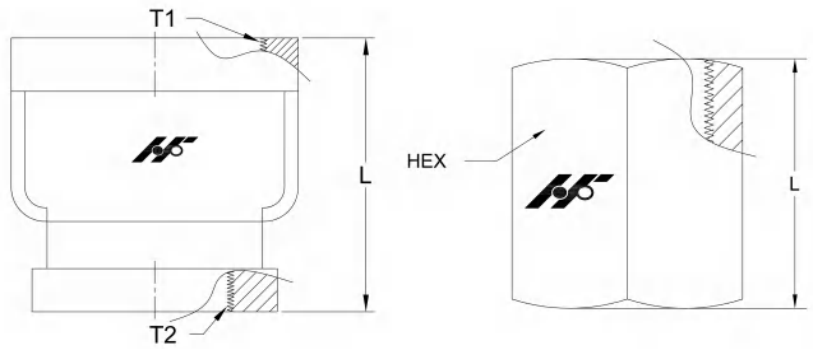
Male Thread Tee

Specification	Model No.	I.D	L	HEX	Thread-BSPT			
1/8"	CD70001	5.3	21	9.8	9.7			
1/4"	CD70002	7.1	24.3	11	13.2			
3/8"	CD70003	10.1	25.5	13	16.7			
1/2"	CD70004	14	30.5	15.5	21			
3/4"	CD70006	13	34.5	18	26.4			
1"	CD70010	21	41.8	34.3	33.3			



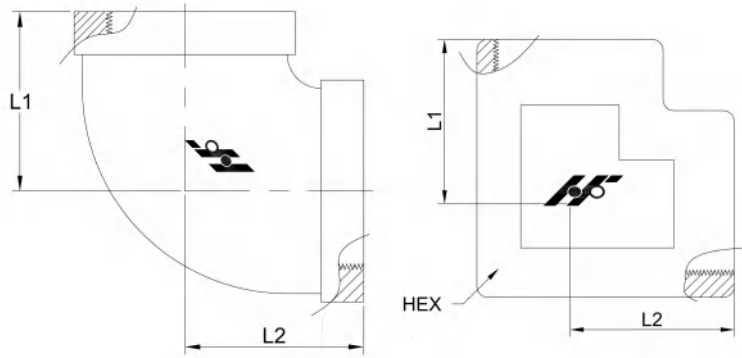
Female/Male Thread Fitting

Specification	Model No.	I.D 1	L	HEX	Thread-BSPT 1	Thread-BSPT 2
1/8" * 1/8"	CD50011	6	20	14	9.7	8.6
1/8" * 1/4"	CD50012	6	24	27	9.7	8.6
1/4" * 1/8"	CD50021	8.3	23	14	13.2	11.4
1/4" * 1/4"	CD50022	8	30	19	13.2	11.4
1/4" * 3/8"	CD50023	9	28	20.5	13.2	11.4
1/4" * 1/2"	CD50024	8.8	28.5	25	13.2	11.4
3/8" * 1/4"	CD50032	11.6	26.2	17	16.7	15
3/8" * 3/8"	CD50033	12	28	20	16.7	15
1/2" * 3/8"	CD50043	15	30	21	21	18.6
1/2" * 1/2"	CD50044	14.2	40	25	21	18.6
3/4" * 3/4"	CD50066	20	51	30	26.4	24.1



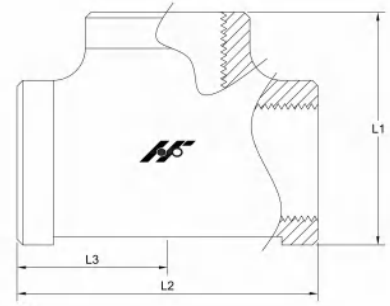
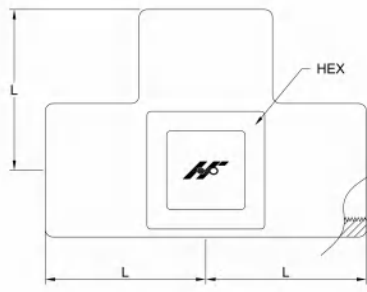
Female Thread Fitting

Specification	Model No.	L	HEX	Thread-BSPT 1	Thread-BSPT 2	
1/8" * 1/8"	CC10011	20	14	8.6	8.6	
1/4" * 1/8"	CC10021	23	17	11.4	8.6	
1/4" * 1/4"	CC10022	24	17	11.4	11.4	
3/8" * 3/8"	CC10033	24	19.4	15	15	
1/2" * 1/2"	CC10044	27	25	18.6	18.6	
3/4" * 3/4"	CC10066	33	30	24.1	24.1	
1" * 3/4"	CC11006	40		30.3	24.1	
1" * 1"	CC11010	44		30.3	30.3	
1-1/4" * 1-1/4"	CC11212	45		39	39	
1-1/2" * 1-1/2"	CC11414	46.5		44.9	44.9	
3" * 3"	CC13030	80		85.9	85.9	



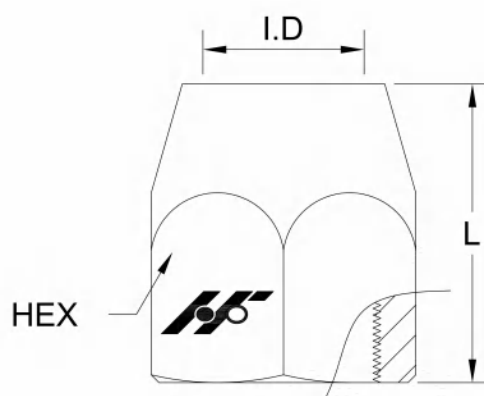
Female Connector Elbow

Specification	Model No.	L1	L2	HEX	Thread-BSPT 1	Thread-BSPT 2
1/8" * 1/8"	CC20011	14.8	14.8	14.2	8.6	8.6
1/4" * 1/4"	CC20022	17	17	17	11.4	11.4
3/8" * 3/8"	CC20033	19.5	19.5	20.2	15	15
1/2" * 1/2"	CC20044-1	23.2	23.2	23.8	18.6	18.6
3/4" * 3/4"	CC20066-1	29	29		24.1	24.1
1" * 1"	CC21010	35.5	35.5		30.3	30.3
1-1/4" * 1-1/4"	CC21212	35	35		39	39
1-1/2" * 1-1/2"	CC21414	38	38		44.9	44.9
2" * 2"	CC22020	52.5	52.5		56.7	56.7
3" * 3"	CC24030	66.2	66.2		85.9	85.9



Female Connector Tee

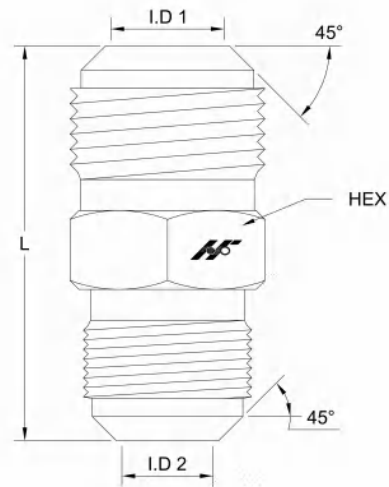
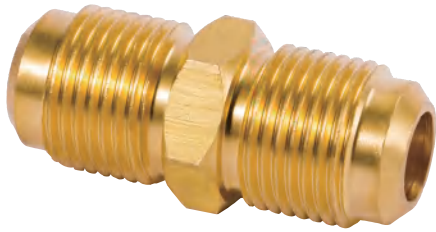
Specification	Model No.	L1	L2	L3	Thread-BSPT	
1/2"	CC70104	40.5	52.3	26.2	18.6	
3/4"	CC70106	49.6	62.5	31.3	24.1	
1"	CC70110	56	67.8	33.9	30.3	
1-1/4"	CC70112	62.5	83.3	41.6	39	
1-1/2"	CC70114	73.2	89.3	44.7	44.9	
2"	CC70120	86.5	103.3	51.7	56.7	



JIC 45° Flare Nut Fitting

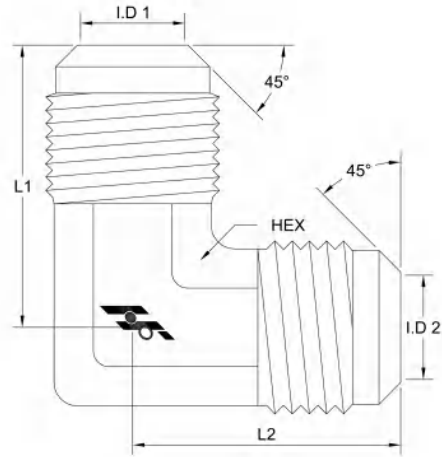
Specification	Model No.	I.D	L	HEX	Thread-BSPT		
1/4"	CF00201	6.6	14.5	14	7/16-20		
5/16"	CF00202	8.3	19	17	1/2-20		
3/8"	CF00203-2	9.9	26.5	19	5/8-18		
1/2"	CF00204-2	13	30	24	3/4-16		
5/8"	CF00205	16	32	28	7/8-14		
3/4"	CF00206	19.2	34	32	1-1/16"-14		





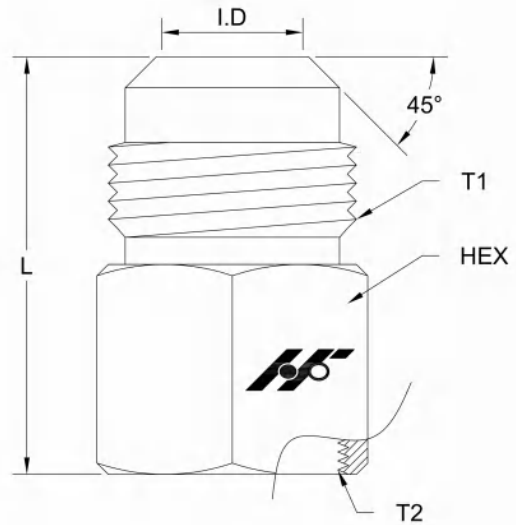
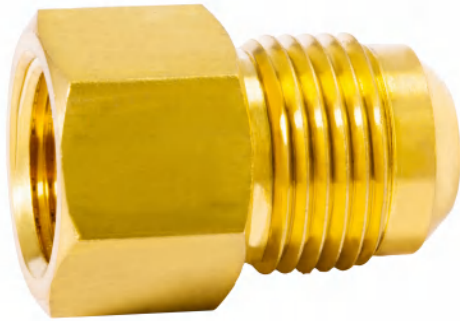
Male JIC 45° Flare Fitting

Specification	Model No.	I.D 1	I.D 2	L	HEX	Thread-BSPT	Thread-BSPT1
1/4" *1/4"	CG10022	4.9	4.9	29	12	7/16-20	7/16-20
5/16" *1/4"	CG10023	6.4	5.1	32.6	13.9	1/2-20	7/16-20
5/16" *5/16"	CG10025	6	6	33	14	1/2-20	1/2-20
3/8" *1/4"	CG10032	7.5	6	37.1	17	5/8-18	7/16-20
3/8" *3/8"	CG10033	8	8	39.5	17	5/8-18	5/8-18
1/2" *1/4"	CG10042	10	5.5	37	21	3/4-16	7/16-20
1/2" *5/16"	CG10042-5	10.2	6.2	40	19	3/4-16	1/2-20
1/2" *1/2"	CG10044	10	10	46.5	19	3/4-16	3/4-16
5/8" 3/8"	CG10054	13	8	44.5	22	7/8-14	5/8-18
5/8" 1/2"	CG10055	12.6	10.1	44.6	22	7/8-14	3/4-16
5/8" *5/8"	CG10055	13	13	50.8	22	7/8-14	7/8-14
3/4" *1/2"	CG10064	16.3	10.2	49.1	27	1-1/16"-14	3/4-16



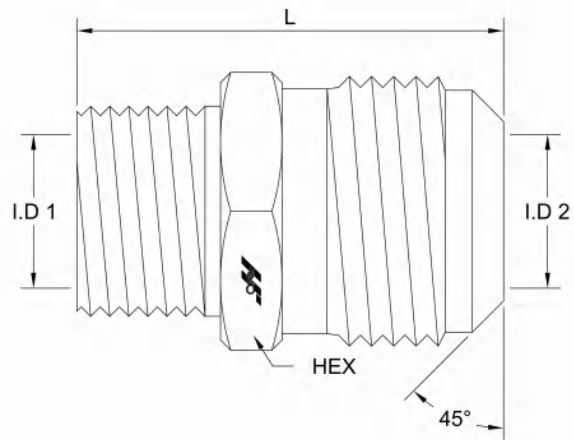
Elbow JIC 45° Flare Elbow

Specification	Model No.	I.D 2	I.D 2	L1	HEX	Thread-BSPT	Thread-BSPT1
1/4" *1/4"	CG20022	5	5	26	11.2	7/16-20	7/16-20
5/16" *-5/16"	CG20022-5	6	6	29.6	10.2	1/2-20	1/2-20
3/8" *3/8"	CG20033	8.5	8.5	33.3	12.2	5/8-18	5/8-18
1/2" *3/8"	CG20043	8	8	32.65	17	3/4-16	5/8-18
1/2" *1/2"	CG20044	10.6	10.6	29.7	14.2	3/4-16	3/4-16
5/8" *5/8"	CG20055	12.9	12.9	36.3	17	7/8-14	7/8-14
3/4" *1/2"	CG20064	10	10	41.6	22.6	1-1/16"-14	3/4-16
3/4" *3/4"	CG20066	16.1	16.1	41.4	22.1	1-1/16"-14	1-1/16"-14



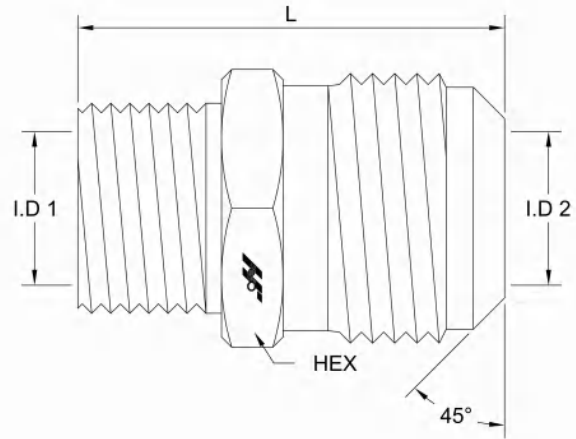
Female/Male JIC 45° Flare Fitting

Specification	Model No.	I.D 1	L	HEX	Thread-BSPT	Thread-BSPT1
1/4" *1/4"	CG50022	5	27	17	7/16-20	11.4
3/8" *3/8"	CG50033	8.2	30	20.6	5/8-18	15
3/8" *1/2"	CG50034	10.2	33	21	5/8-18	18.6
1/2" *3/8"	CG50043	8.1	42	22	3/4-16	15
1/2" *1/2"	CG50044	10.5	39	23	3/4-16	18.6
1/2" *5/8"	CG50045	12.8	37	24	3/4-16	20.5



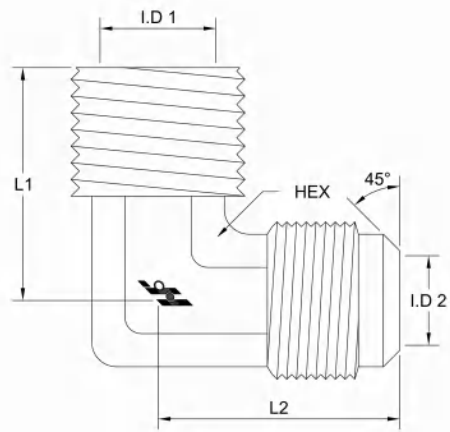
BSPT / Male JIC 45° Flare Fitting-1

Specification	Model No.	I.D 1	I.D 2	L	HEX	Thread-BSPT	Thread-BSPT1
1/8" *1/4"	CG30012	5	5	28.5	11	9.7	7/16-20
1/8" *5/16"	CG30012-5	6.1	6.1	30	14	9.7	1/2-20
1/8" *3/8"	CG30013	5.9	8.1	35	18	9.7	5/8-18
1/8" *1/2"	CG30014	6	10	39	19	9.7	3/4-16
1/4" *1/4"	CG30022	8.5	5	30.2	14	13.2	7/16-20
1/4" 5/16"	CG30022-5	9	5.6	29.7	13.8	13.2	1/2-20
1/4" *3/8"	CG30023	8	8	35	17	13.2	5/8-18
1/4" *1/2"	CG30024	8.3	10	39	19	13.2	3/4-16
1/4" *5/8"	CG30025	8.2	13.1	42	22	13.2	7/8-14
3/8" *1/4"	CG30032	11.6	5	31.2	17	16.7	7/16-20
3/8" *3/8"	CG30033	11.6	8	35	17	16.7	5/8-18
3/8" *1/2"	CG30034	10	10	39	19	16.7	3/4-16
3/8" *5/8"	CG30035	10	13	42.8	22	16.7	7/8-14
3/8" *3/4"	CG30036	10	18.6	44	28	16.7	1-1/16"-14



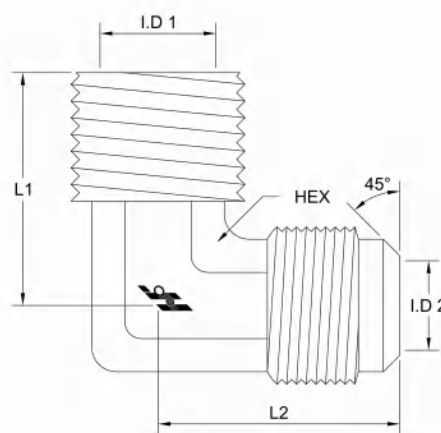
BSPT / Male JIC 45° Flare Fitting-2

Specification	Model No.	I.D 1	I.D 2	L	HEX	Thread-BSPT	Thread-T
1/2" *1/4"	CG30042	15	5	33	20.8	21	7/16-20
1/2" *5/16"	CG30042-5	14.5	6	33.3	20.5	21	1/2-20
1/2" *3/8"	CG30043	15	8	38	20.8	21	5/8-18
1/2" *1/2"	CG30044	15	12.5	37.5	23	21	3/4-16
1/2" *5/8"	CG30045	15	12.6	37.4	23	21	7/8-14
1/2" *3/4"	CG30046	15	15	41.5	27	21	1-1/16"-14
3/4" *3/8"	CG30063	20	8	37.4	27	26.4	5/8-18
3/4" *1/2"	CG30064	20	10	39.5	27	26.4	3/4-16
3/4" *5/8"	CG30065	20	12.8	40.5	27	26.4	7/8-14
3/4" *3/4"	CG30066	19	15.9	50.5	28	26.4	1-1/16"-14
1" *5/8"	CG31005	24.6	12.5	49.9	38	33.3	7/8-14
1" *3/4"	CG31006	24.6	18.2	50.9	38	33.3	1-1/16"-14



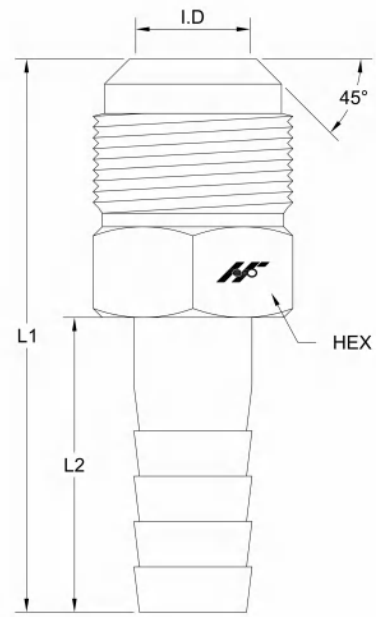
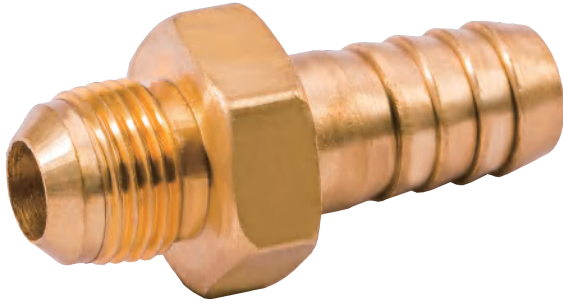
BSPT/Male JIC 45° Flare Elbow Fitting-1

Specification	Model No.	I.D 1	I.D 2	L1	L2	HEX	Thread-BSPT	Thread-T
1/8" *1/4"	CG40012	5.4	5	20.1	26.1	9.9	9.7	7/16-20
1/8" *5/16"	CG40012-5	5	6.5	26.9	26.6	12	9.7	1/2-20
1/8" *3/8"	CG40013	5.5	7.1	20.4	28.3	13	9.7	5/8-18
1/4" *1/4"	CG40022	8.5	5	24.5	22	10	13.2	7/16-20
1/4" 5/16"	CG40022-5	8.5	6	24.6	24.5	11.1	13.2	1/2-20
1/4" *3/8"	CG40023	7.4	8	25	25.5	11.1	13.2	5/8-18
1/4" *1/2"	CG40024	8	10.8	26.5	29.5	15.5	13.2	3/4-16
1/4" *5/8"	CG40025	7.1	13	30.2	35.6	17.4	13.2	7/8-14
3/8" *1/4"	CG40032	11	5	24	22.7	11	16.7	7/16-20
3/8" *5/16"	CG40032-5	11	6.3	23.5	24	11.1	16.7	1/2-20
3/8" *3/8"	CG40033	11	8.5	24.8	26	13	16.7	5/8-18
3/8" *1/2"	CG40034	11	10.5	25.3	28.4	13	16.7	3/4-16
3/8" *5/8"	CG40035	10.5	12.9	29.2	31.5	17	16.7	7/8-14
3/8" *3/4"	CG40036	10.4	15.9	41.9	41.9	22	16.7	1-1/16"-14



BSPT/Male JIC 45° Flare Elbow Fitting-2

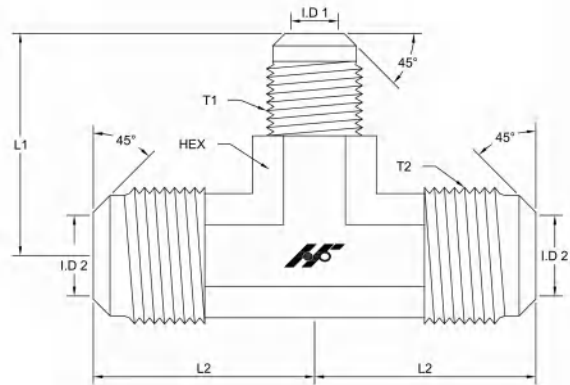
Specification	Model No.	I.D 1	I.D 2	L1	L2	HEX	Thread-BSPT	Thread-T
1/2" *1/4"	CG40042	14	5	28.5	25	13.1	21	7/16-20
1/2" *5/16"	CG40042-5	14	6	28.6	26.7	13	21	1/2-20
1/2" *3/8"	CG40043	14	10.4	28.1	29.1	14	21	5/8-18
1/2" *1/2"	CG40044	14	10.5	28.2	29.7	14	21	3/4-16
1/2" *5/8"	CG40045	14	13	32	33.6	17.1	21	7/8-14
3/4" *1/2"	CG40064	17.1	10.4	40.4	40.7	22	26.4	3/4-16
3/4" *5/8"	CG40065	19	12.8	35.5	35.5	21	26.4	7/8-14
3/4" *3/4"	CG40066	17.6	15.7	33.8	34.9	21	26.4	1-1/16"-14



Male JIC 45° Flare/Hose Fitting

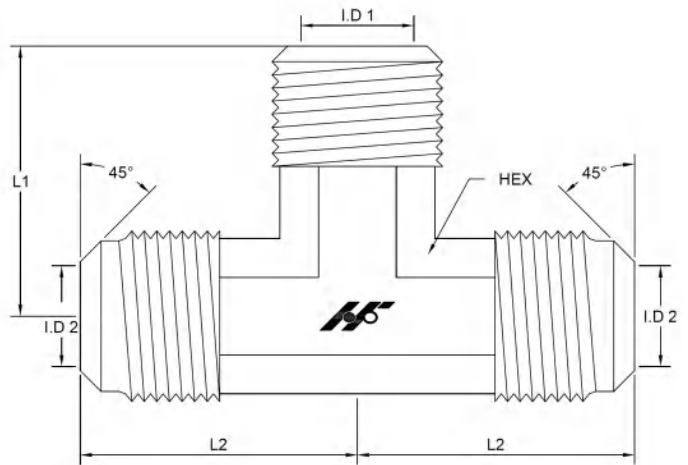
Specification	Model No.	O.D	L1	L2	HEX	Thread-T	
1/4" *1/4"	CG66022	7.2	45.7	26	20.9	7/16-20	
3/8" *3/8"	CG66033	10.5	53	31.1	19	5/8-18	
1/2" *1/2"	CG66044	17	47.1	22.4	19	3/4-16	





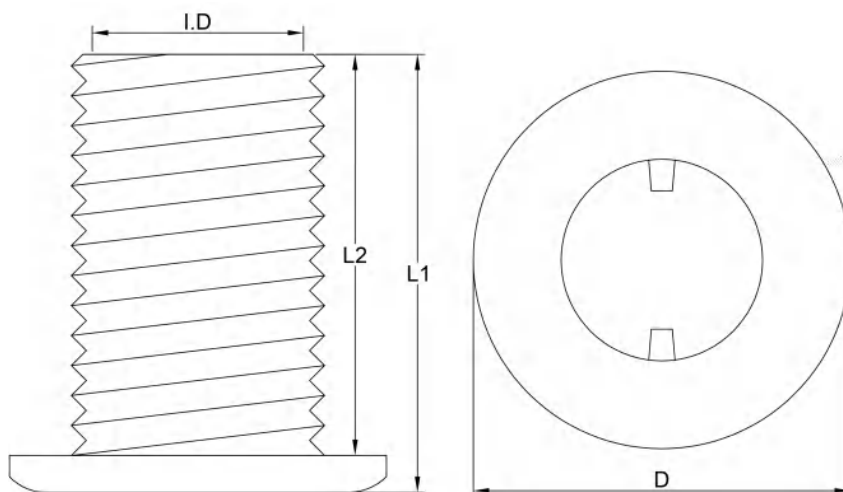
JIC 45° Flare Tee Fitting

Specification	Model No.	I.D 1	I.D 2	L1	L2	HEX	Thread-T	Thread-T1
1/4" * 1/4" * 1/4"	CG70022	5	5	19.3	19.4	10	7/16-20	7/16-20
3/8" * 1/4" * 3/8"	CG70023	5	7.1	25.1	25.6	13.3	7/16-20	5/8-18
1/2" * 1/4" * 1/2"	CG70024	5	10	28	35.3	18	7/16-20	3/4-16
1/4" * 3/8" * 1/4"	CG70032	8	5	26.1	26	14	5/8-18	7/16-20
3/8" * 3/8" * 3/8"	CG70033	8.6	8.6	25	25.8	12.5	5/8-18	5/8-18
5/8" * 3/8" * 5/8"	CG70035	8	13	35.7	35.7	18	5/8-18	7/8-14
3/8" * 1/2" * 3/8"	CG70043	10	8.1	34.7	33.5	18.4	3/4-16	5/8-18
1/2" * 1/2" * 1/2"	CG70044	10.5	10.5	29.5	31	15.5	3/4-16	3/4-16
5/8" * 1/2" * 5/8"	CG70045	10.1	13	35.9	35.8	18	3/4-16	7/8-14
3/4" * 1/2" * 3/4"	CG70046	10.2	16.1	41.5	78.3	22.5	3/4-16	1-1/16"-14
1/2" * 5/8" * 1/2"	CG70054	13	10	36.9	34.8	18.4	7/8-14	3/4-16
3/4" * 5/8" * 3/4"	CG70056	13	17	39.8	39.5	22	7/8-14	1-1/16"-14
5/8" * 3/4" * 5/8"	CG70065	13.4	17	39.6	39.5	22	1-1/16"-14	7/8-14



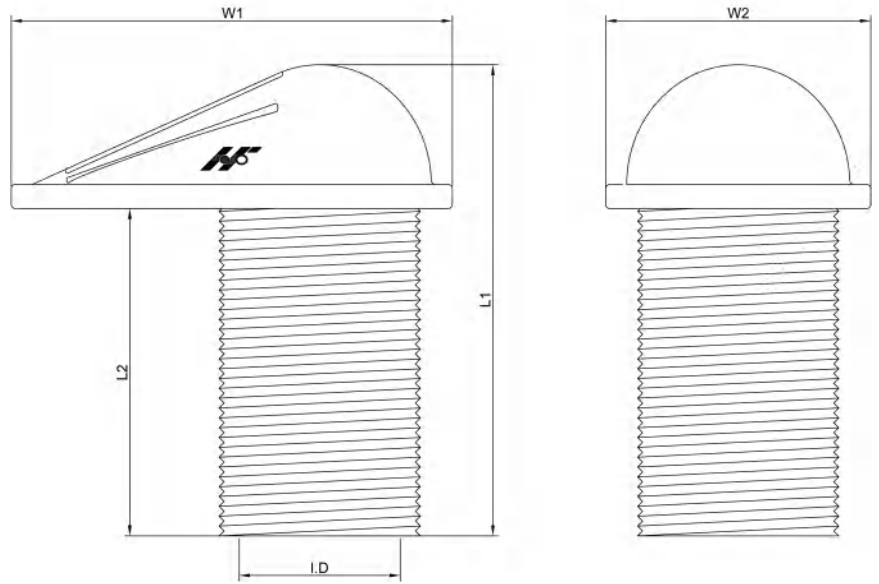
BSPT/JIC 45° Flare Tee Fitting

Specification	Model No.	I.D 1	I.D 2	L1	L2	HEX	Thread-BSPT	Thread-T
1/4" * 1/8" * 1/4"	CG80012	5.5	5	19.2	19.3	10	9.7	7/16-20
1/4" * 1/4" * 1/4"	CG80022	8	4.9	23.5	23	11	13.2	7/16-20
3/8" * 1/4" * 3/8"	CG80023	7	8.4	25.9	27.5	12	13.2	5/8-18
1/2" * 1/4" * 1/2"	CG80024	8	10	33	36.4	18.1	13.2	3/4-16
1/4" * 3/8" * 1/4"	CG80032	11	5	27.2	24.7	11.8	16.7	7/16-20
3/8" * 3/8" * 3/8"	CG80033	11	8.5	23.1	25.9	12.6	16.7	5/8-18
1/4" * 1/2" * 1/4"	CG80042	8	10	34.1	35.8	18.2	21	7/16-20
1/2" * 1/2" * 1/2"	CG80044	14	10.5	28.5	31	15.7	21	3/4-16
5/8" * 1/2" * 5/8"	CG80045	14.1	12.8	36	34.3	18	21	7/8-14
3/4" * 1/2" * 3/4"	CG80046	13.1	17	40.4	39.1	22	21	1-1/16"-14
1/2" * 3/4" * 1/2"	CG80064	17.1	10.1	40.4	39.5	22	26.4	3/4-16
5/8" * 3/4" * 5/8"	CG80065	13.5	17	39.6	39.5	22	26.4	7/8-14
3/4" * 3/4" * 3/4"	CG80066	16	16	40.1	39.3	22	26.4	1-1/16"-14



304/316 Stainless Steel Thru-Hull

Specification	Model No.	L1	Thread-BSPP				
3/4"	CH60006	70	26.4				
1"	CH60010	72	33.3				
1-1/4"	CH60012	78	41.9				
1-1/2"	CH60014	79	47.8				
2"	CH60020	95	59.6				
2-1/2"	CH60024	116	75.2				
3"	CH60030	120	87.9				



304/316 Stainless Steel Scoop Thru-Hull

Specification	Model No.	L1	Thread-BSPP				
3/4"	CH50006	70	26.4				
1"	CH50010	72.8	33.3				
1-1/4"	CH50012	78.6	41.9				
1-1/2"	CH50014	79	47.8				
2"	CH50020	95	59.6				
2-1/2"	CH50024	115	75.2				
3"	CH50030	123	87.9				

304/316 Stainless Steel Vent

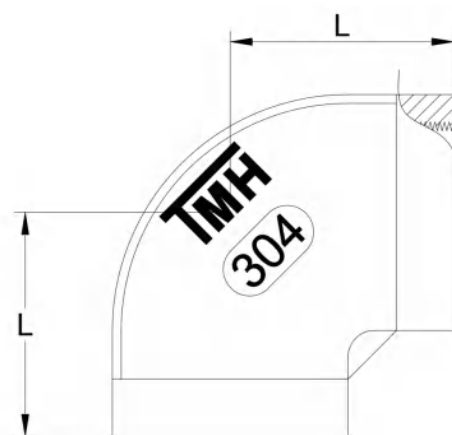


Specification	Model No.
5/8"	CH90005
3/4"	CH90006
1"	CH90010
1-1/4"	CH90012
1-1/2"	CH90014
2"	CH90020
2-1/2"	CH90024

Stainless Steel Deck Fill

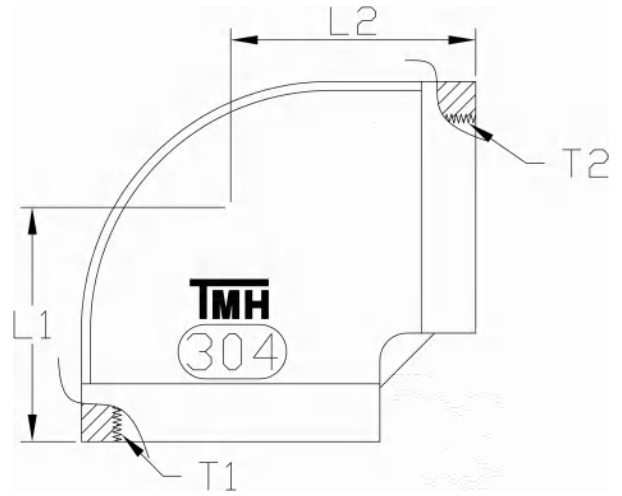


Specification	Product
1-1/2"	Water
2"	Water
1-1/2"	Waste
2"	Waste
1-1/2"	Gas
2"	Gas
1-1/2"	Diesel
2"	Diesel



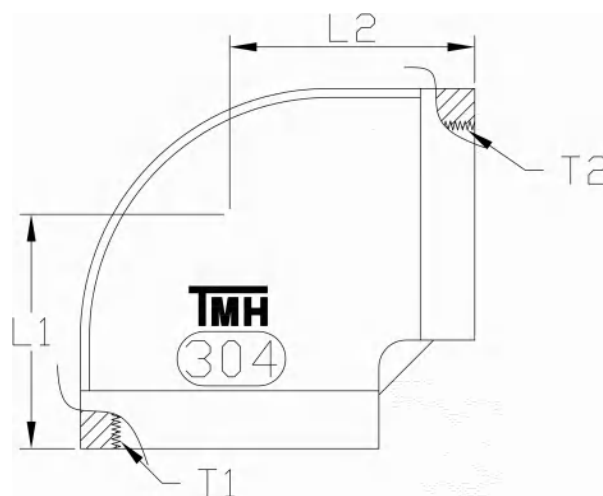
304/316 Elbow

Specification	Model No.	L	Thread-BSPT				
1/4	AC20022	16	11.4				
3/8	AC20033	16.6	15				
1/2	AC20044	25.7	18.6				
3/4	AC20066	28.2	24.1				
1"	AC20110	34.1	30.3				
1-1/4"	AC20128	39.8	39				
1-1/2"	AC21414	43.8	44.9				
2"	AC20150	50.9	56.7				
2-1/2"	AC20250	62	72.2				
3"	AC20330	70	85.9				
4"	AC20440	84.2	110.1				



304/316 Reducing Elbow-1

Specification	Model No.	L1	L2	Thread-BSPT.1	Thread-BSPT.2		
1/4*3/8	AC20023	19.9	21.9	15	11.4		
3/4*1/2	AC20064	23	26.7	18.6	24.1		
1*1/2	AC20104	26.1	31	18.6	30.3		
1*3/4	AC20106	29.4	32.3	24.1	30.3		
1-1/4*1/2	AC20124	28	35	18.6	39		
1-1/4*3/4	AC20126	30.8	35.6	24.1	39		
1/1/4*1	AC20127	34.3	37.7	30.3	39		
1-1/2*1/2	AC20144	28.5	37.7	18.6	44.9		
1-1/2*3/4	AC20145	31.7	38.7	24.1	44.9		
1-1/2*1	AC20146	35.5	40.6	30.3	44.9		
1-1/2*1-1/4"	AC20147	40.5	41.5	39	44.9		
2"*1/2	AC20204	30.3	43.3	18.6	56.7		
2*3/4	AC20206	33.7	44.5	24.1	56.7		

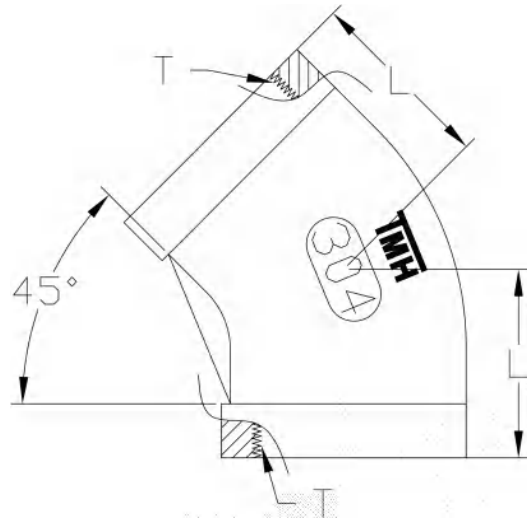


304/316 Reducing Elbow-2

Specification	Model No.	L1	L2	Thread-BSPT.1	Thread-BSPT.2		
2*1	AC20210	37.2	47.2	30.3	56.7		
2*1-1/4	AC20212	42.6	48.4	39	56.7		
2*1-1/2	AC20214	44.6	48.4	44.9	56.7		

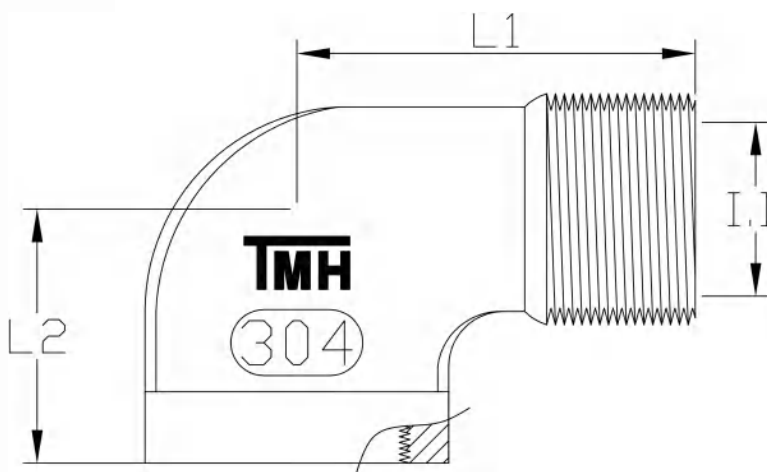


304/316 Stainless Steel Fitting



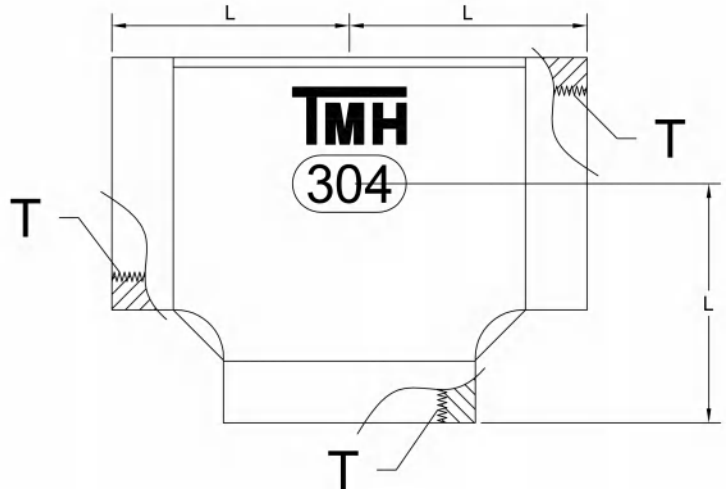
304/316 Elbow 45°

Specification	Model No.	L	Thread-BSPT				
1/4	AC30022	14	11.4				
3/8	AC30033	14.5	15				
1/2	AC30044	17.5	18.6				
3/4	AC30066	21	24.1				
1"	AC31010	23	30.3				
1-1/4"	AC31212	29	39				
1-1/2"	AC31414	29	44.9				
2"	AC32020	34.5	56.7				



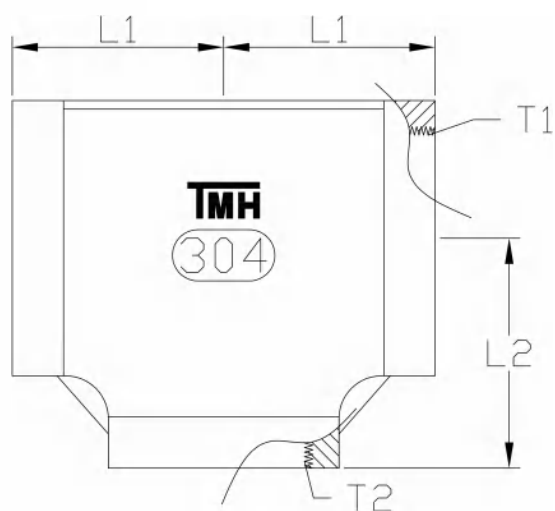
304/316 Street Elbow

Specification	Model No.	I.D	L1	L2	Thread-BSPT.1	Thread-BSPT.2
1/4	AD60022	8.2	26.9	19.5	13.2	11.4
3/8	AD60033	11.1	31	21.8	16.7	15
1/2	AD60044	15	36.5	22.8	21	18.6
3/4	AD60066	19.6	40.4	26.7	26.4	24.1
1"	AD61010	26.9	44.7	30.5	33.3	30.3
1-1/4"	AD61212	35.2	50.4	34.3	41.9	39
1-1/2"	AD61414	38.1	55.5	41	47.8	44.9
2"	AD62020	51	64.7	51	59.6	56.7



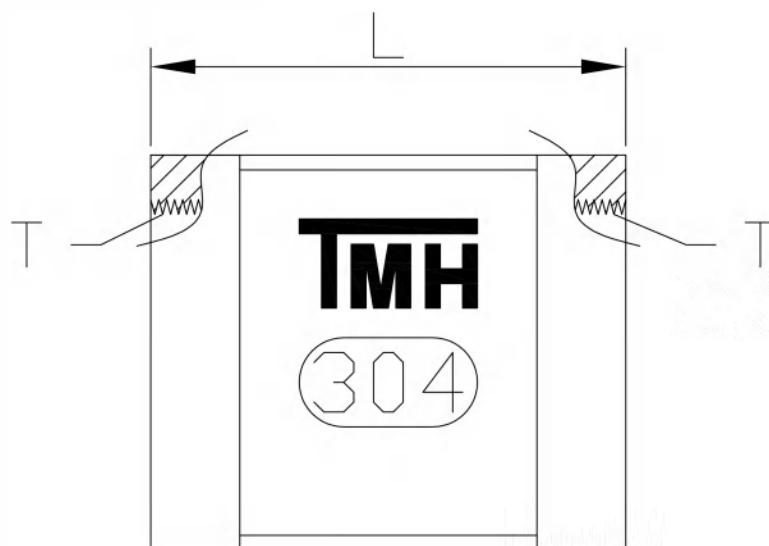
304/316 Tee

Specification	Model No.	L	Thread-BSPT				
1/4	AC70022	19	11.4				
3/8	AC70033	20.3	15				
1/2	AC70044	25.2	18.6				
3/4	AC70066	25.3	24.1				
1"	AC70110	34.2	30.3				
1-1/4"	AC70128	40.2	39				
1-1/2"	AC70147	44	44.9				
2"	AC70220	51	56.7				
2-1/2"	AC70244	62	72.2				
4"	AC70440	83.8	110.1				



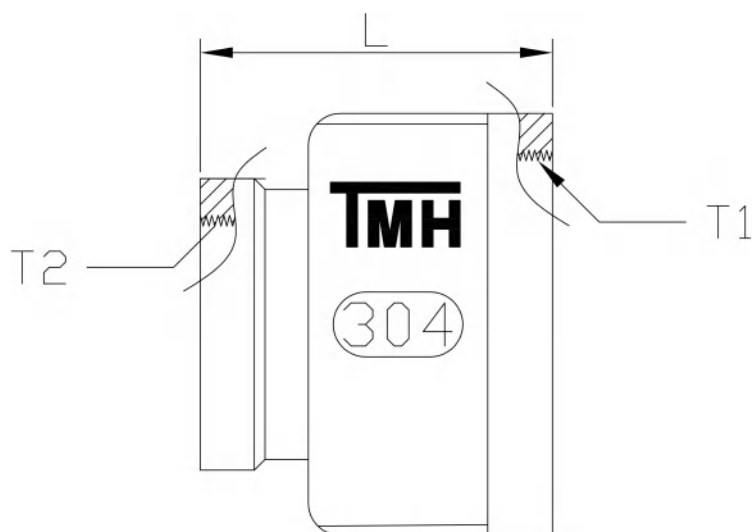
304/316 Reducing Tee

Specification	Model No.	L1	L2	Thread-BSPT.1	Thread-BSPT.2	
3/4*1/2	AC70064	24.9	27.1	24.1	18.6	
1*1/2	AC70104	26.1	31.1	30.3	18.6	
1*3/4	AC70106	29.2	31.1	30.3	24.1	
1-1/4*1/2	AC70124	28.1	34.5	39	18.6	
1-1/4*3/4	AC70126	30.6	35.2	39	24.1	
1-1/4*1	AC70127	35.5	38.1	39	30.3	
1-1/2*1/2	AC70142	29	37.6	44.9	18.6	
1-1/2*3/4	AC70143	32	38.5	44.9	24.1	
1-1/2*1	AC70145	36	41	44.9	30.3	
1-1/2*1-1/4	AC70146	40.5	43.4	44.9	39	
2*1/2	AC70204	30.6	43.4	56.7	18.6	
2*3/4	AC70206	33.6	44.9	56.7	24.1	
2*1	AC70210	38.2	47.1	56.7	30.3	
2*1-1/4	AC70212	43	49	56.7	39	



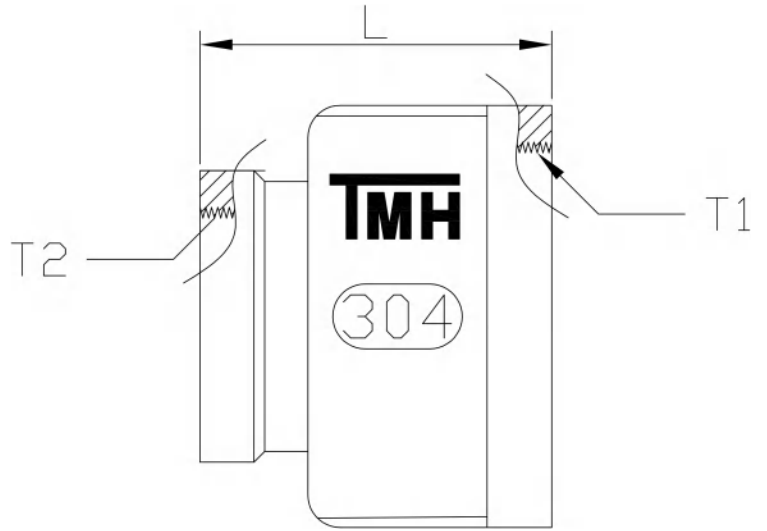
304/316 Socket

Specification	Model No.	L	Thread-BSPT				
1/4	AC10022	24.5	11.4				
3/8	AC10033	27.1	15				
1/2	AC10044	32.2	18.6				
3/4	AC10066	36.2	24.1				
1"	AC10110	41.9	30.3				
1-1/4"	AC10128	48	39				
1-1/2"	AC10150	50.9	44.9				
2"	AC10220	57.9	56.7				
2-1/2"	AC10250	57.9	72.2				
3"	AC10330	64.8	85.9				



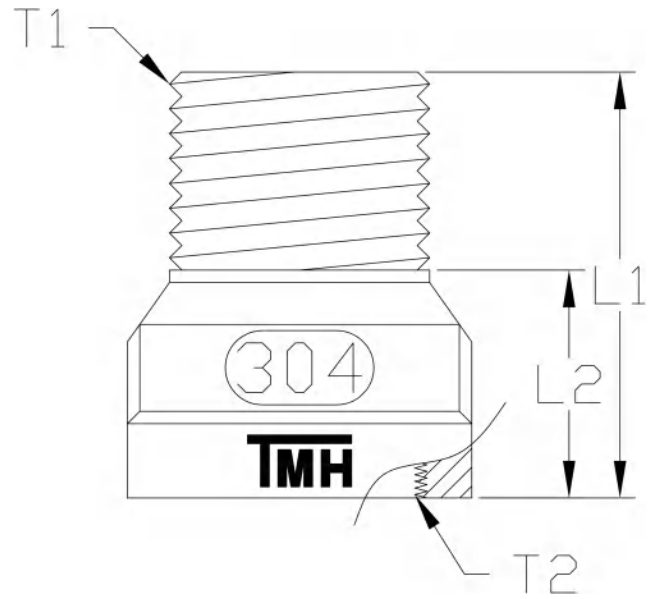
304/316 Reducing Socket

Specification	Model No.	L	Thread-BSPT.1	Thread-BSPT.2			
3/8*1/4	AC10032	30.1	15	11.4			
3/4*1/2	AC10064	32	24.1	18.6			
1*1/2	AC10104	32.5	30.3	18.6			
1*3/4	AC10106	32.5	30.3	24.1			
1-1/4*1/2	AC10124	33.5	39	18.6			
1-1/4*3/4	AC10126	36	39	24.1			
1-1/4*1	AC10127	44.8	39	30.3			
1-1/2*1/2	AC10144	36.5	44.9	18.6			
1-1/2*3/4	AC10146	35	44.9	24.1			
1-1/2*1	AC10147	42.5	44.9	30.3			
1-1/2*1-1/4	AC10148	39	44.9	39			



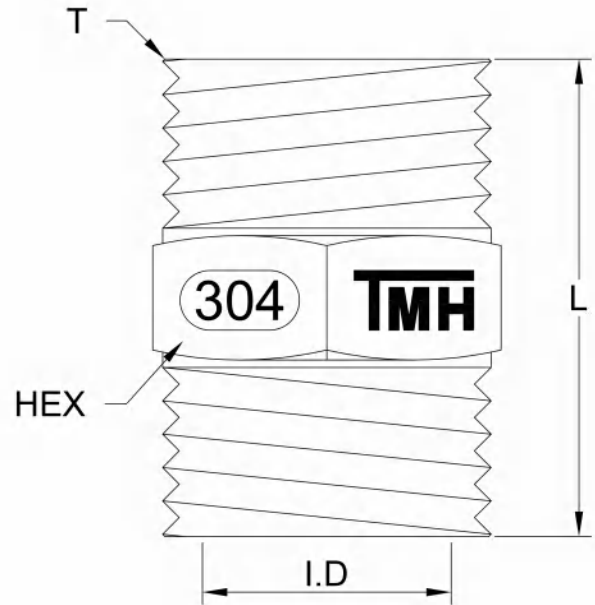
304/316 Reducing Socket

Specification	Model No.	L	Thread-BSPT.1	Thread-BSPT.2			
2*1/2	AC10204	39	56.7	18.6			
2*3/4	AC10206	39	56.7	24.1			
2*1	AC10210	46	56.7	30.3			
2*1-1/4	AC10212	48.1	56.7	39			
2*1-1/2	AC10214	48	56.7	44.9			



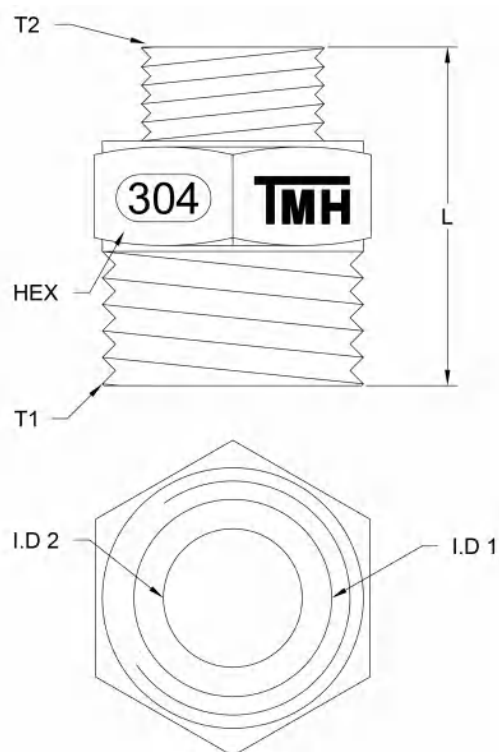
304/316 Reducer M/F

Specification	Model No.	L1	L2	Thread-BSPT.1	Thread-BSPT.2		
1/2	AD52044	34.1	19.5	21	18.6		
3/4	AD52066	36	21.5	26.4	24.1		
1"	AD52110	40	22	33.3	30.3		



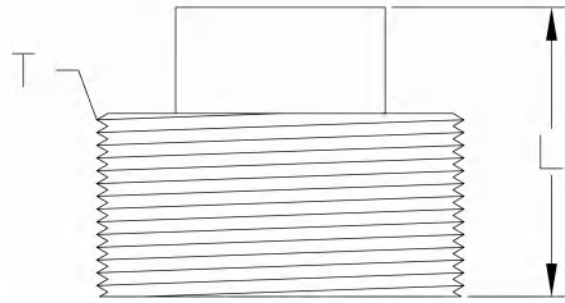
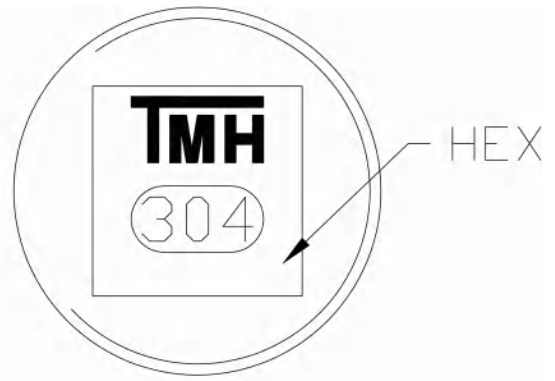
304/316 Nipple

Specification	Model No.	I.D	L	HEX	Thread-BSPT	
1/4	AD13022	7.6	34	13.4	13.2	
3/8	AD13033	11.2	34.5	13.4	16.7	
1/2	AD13044	13.9	38.3	21	21	
3/4	AD13066	19.1	39	26.5	26.4	
1"	AD13110	27	46	34	33.3	
1-1/4"	AD13112	35	51.6	41.9	41.9	
1-1/2"	AD13114	41	55.1	48	47.8	
2"	AD13220	51.5	58.9	60	59.6	
2-1/2"	AD13224	65.1	63	76.4	75.2	
4"	AD13440	99.9	69	112.9	133	



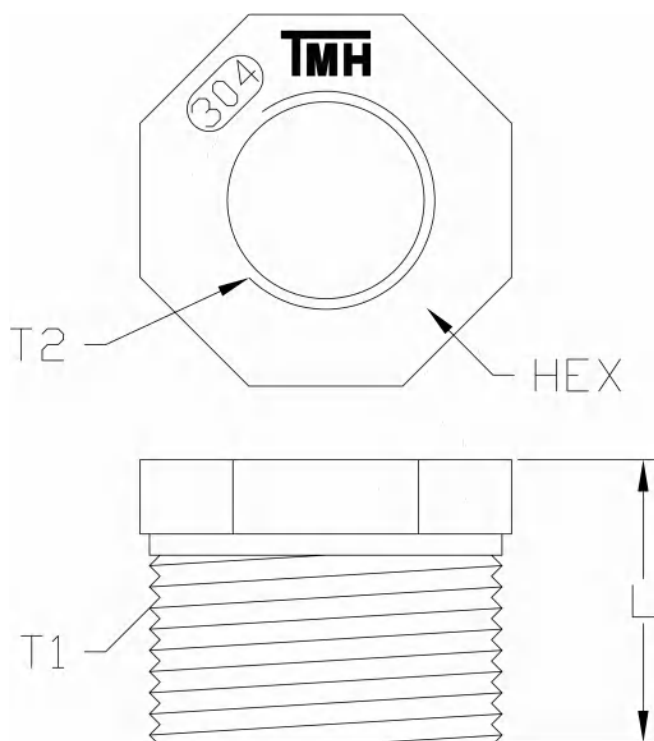
304/316 Reducing Nipple

Specification	Model No.	I.D 1	I.D 2	L	HEX	Thread-BSPT.1	Thread-BSPT.2
3/8*1/4	AD13032	11.5	7.8	31.9	17.6	16.7	13.2
3/8*1/2	AD13034	14.8	11.2	37.	21.5	16.7	21
1/2*1/4	AD13042	15	7.8	35.8	21.6	21	13.2
3/4*1/4	AD13062	20.4	8	38.5	27	26.4	13.2
3/4*3/8	AD13063	20.4	11.4	40	27	26.4	16.7
3/4*1/2	AD13064	19.9	14.8	41	27	26.4	21
1*1/4	AD13102	26.9	8	39	34	33.3	13.2
1*3/8	AD13103	26.6	11.4	41.1	33.8	33.3	16.7
1*1/2	AD13104	26	14.9	43.5	33.6	33.3	21
1*3/4	AD13106	27	20.8	44	33.6	33.3	26.4



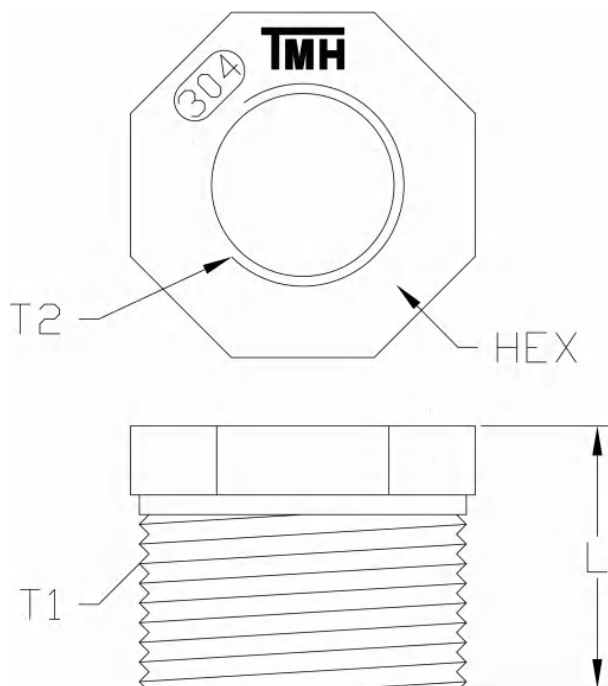
304/316 Plug

Specification	Model No.	L	HEX	Thread-BSPT		
1/4	AD00002	17	7.9	13.2		
3/8	AD00003	19.4	10	16.7		
1/2	AD00004	22.6	11.9	21		
3/4	AD00006	27.3	13.7	26.4		
1"	AD00010	26.2	19	33.3		
1-1/4"	AD00012	36.1	24	41.9		
1-1/2"	AD00014	29	26	47.8		
2"	AD00020	33.5	30	59.6		
2-1/2"	AD00024	39	32.1	75.2		



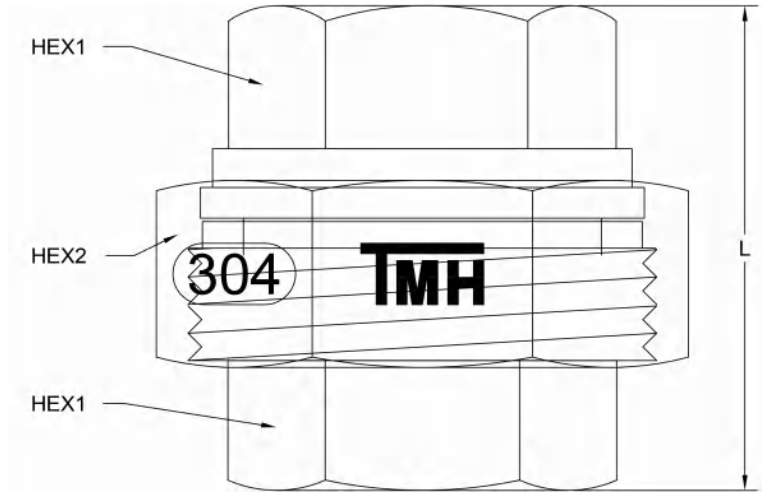
304/316 Bushing-1

Specification	Model No.	L	HEX	Thread-BSPT.1	Thread -BSPT.2		
3/8*1/4	AD30032	18.8	19	16.7	11.4		
1/2*1/4	AD30042	21	23	21	11.4		
1/2*3/8	AD30043	21.3	23	21	15		
3/4*1/4	AD30062	22.2	23.9	26.4	11.4		
3/4*1/2	AD30064	24.9	29.1	26.4	18.6		
1*1/2	AD30104	26	35.1	33.3	18.6		
1*3/4	AD30106	25.8	35.2	33.3	24.1		
1-1/4*1/2	AD30124	26	42	41.9	18.6		
1-1/4*3/4	AD30126	26	42	41.9	24.1		
1-1/4*1	AD30127	26.8	42.8	41.9	30.3		
1-1/2*1/2	AD30144	28	48.7	47.8	18.6		



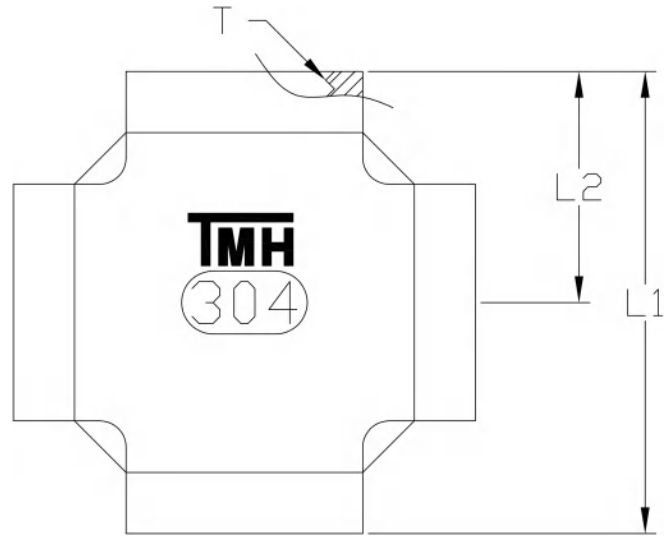
304/316 Bushing-2

Specification	Model No.	L	HEX	Thread-BSPT.1	Thread -BSPT.2		
1-1/2*3/4	AD30146	28	48.8	47.8	24.1		
1-1/2*1	AD30147	28	48.9	47.8	30.3		
1-1/2*1-1/4	AD30148	28.1	48.2	47.8	39		
2*1/2	AD30204	27.5	60	59.6	18.6		
2*3/4	AD30206	27.1	60	59.6	24.1		
2*1	AD30210	27.3	60	59.6	30.3		
2*1-1/4	AD30212	27.2	59.8	59.6	39		
2*1-1/2	AD30214	30	60.6	59.6	44.9		
2-1/2*1/2	AD30244	34.5	76	75.2	18.6		
2-1/2*1	AD30247	32.1	75.4	75.2	30.3		
2-1/2*1-1/4	AD30248	32.1	76	75.2	39		
2-1/2*2	AD30250	33.3	76	75.2	56.7		



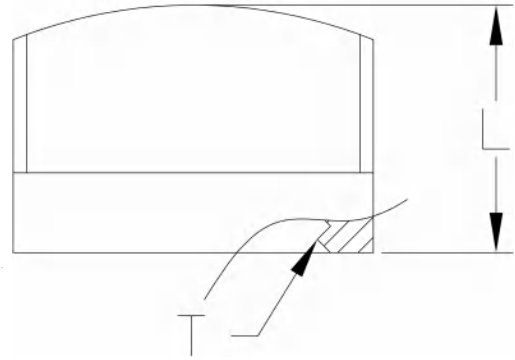
304/316 Union

Specification	Model No.	L	HEX 1	HEX 2	Thread-BSPT		
1/4	AC40002	29	17	29.2	11.4		
3/8	AC40003	29.5	20.3	32.4	15		
1/2	AC40004	37.1	24.9	36.9	18.6		
3/4	AC40006	41	31	45	24.1		
1"	AC40010	45.5	38	52	30.3		
1-1/4"	AC40012	49.8	46.9	63.2	39		
1-1/2"	AC40014	50.9	53	69.9	44.9		
2"	AC40020	55.3	44.1	83	56.7		
2-1/2"	AC40024	65.6	88	104	72.2		
3"	AC40030	67	94	118	85.9		
4"	AC40040	69.6	121.2	146.6	110.1		



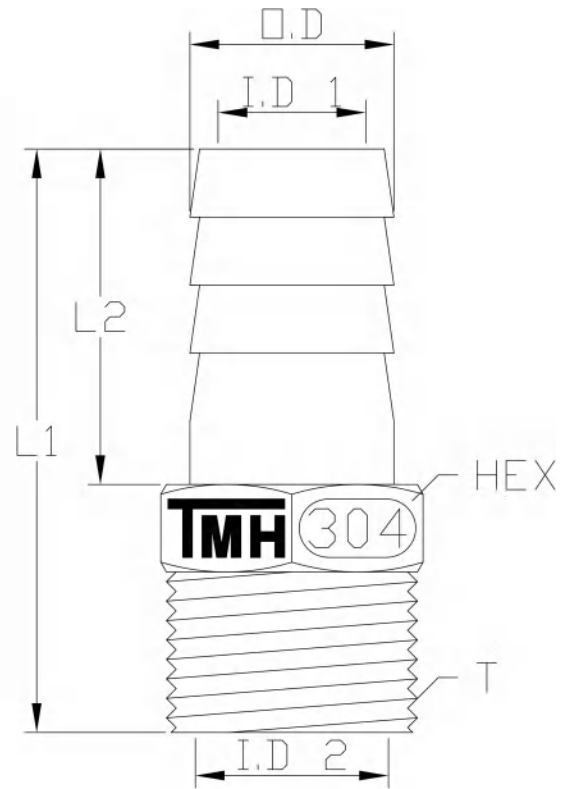
304/316 Cross

Specification	Model No.	L1	L2	Thread-BSPT			
1/4	AC90002	38.3	19.2	11.4			
3/8	AC90003	40.5	20.3	15			
1/2	AC90004	52.9	26.5	18.6			
3/4	AC90006	56.4	28.2	24.1			
1"	AC90010	72	36	30.3			
1-1/4"	AC90012	81	40.5	39			
1-1/2"	AC90014	86.1	43	44.9			
2"	AC90020	106.4	53.2	56.7			



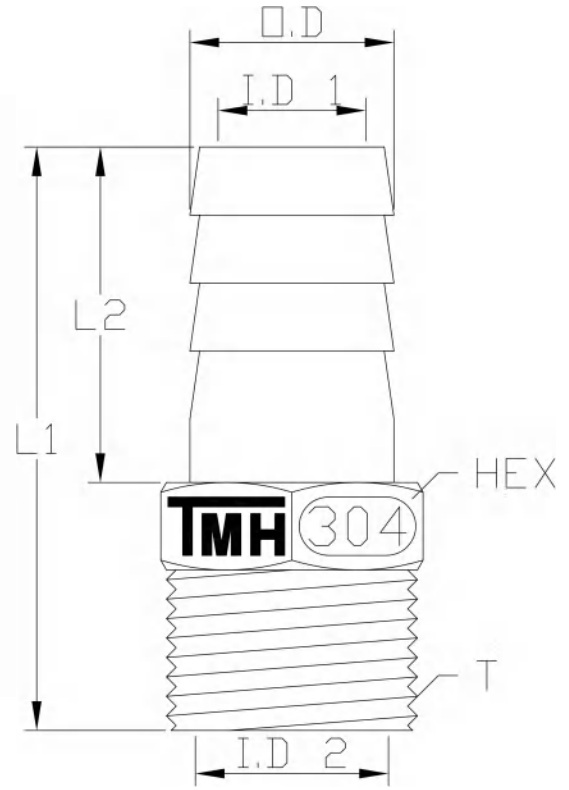
304/316 Cap

Specification	Model No.	L	Thread-BSPT			
1/4	AC00002	16.4	11.4			
3/8	AC00003	16.4	15			
1/2	AC00004	18.9	18.6			
3/4	AC00006	20	24.1			
1"	AC00010	22.7	30.3			
1-1/4"	AC00012	25.2	39			
1-1/2"	AC00014	26	44.9			
2"	AC00020	30	56.7			
2-1/2"	AC00024	29.6	72.2			
3"	AC00030	33	85.9			



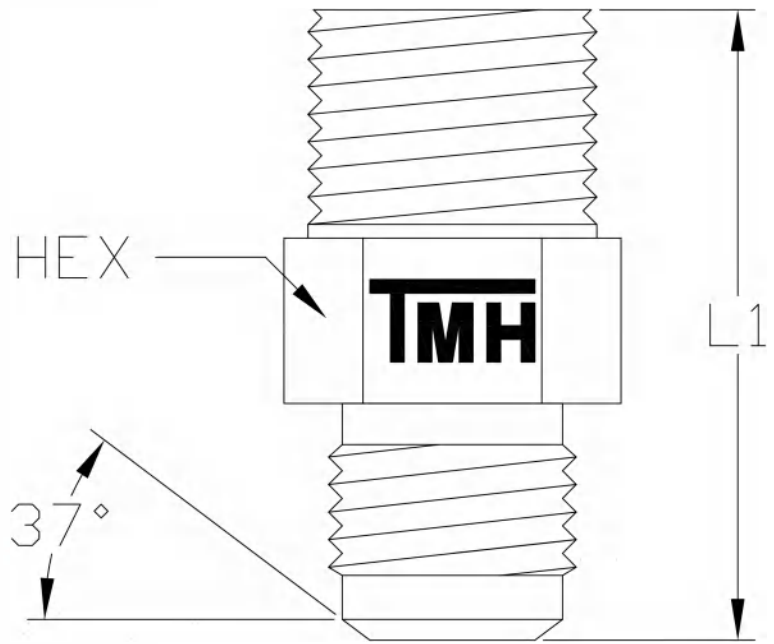
Hose Connector-1

Specification	Model No.	I.D 1	I.D 2	O.D	L1	L2	HEX	T	
1/4*3/8	AE30023	6	8	10.2	44.5	26.6	14.9	13.2	
1/4*1/2	AE30024	8.1	8.1	12.2	45.1	27.3	14.8	13.2	
3/8*1/4	AE30032	4	10	8.1	47	27	17	16.7	
3/8*3/8	AE30033	6.7	11.8	11	48	26.6	17.3	16.7	
3/8*1/2	AE30034	8.1	11.8	12.1	47.9	28.5	17.5	16.7	
1/2*1/4	AE30042	5	15.2	8.9	49.9	29	22	21	
1/2*3/8	AE30043	7	15.3	10.6	52	30.8	21.9	21	
1/2*1/2	AE30044	8.1	15.1	12.3	54.6	33.2	22	21	
1/2*5/8	AE30045	12	15.4	16.5	58.5	35.1	22	21	
1/2*3/4	AE30046	15.5	15.1	20.6	57.9	35.1	22	21	



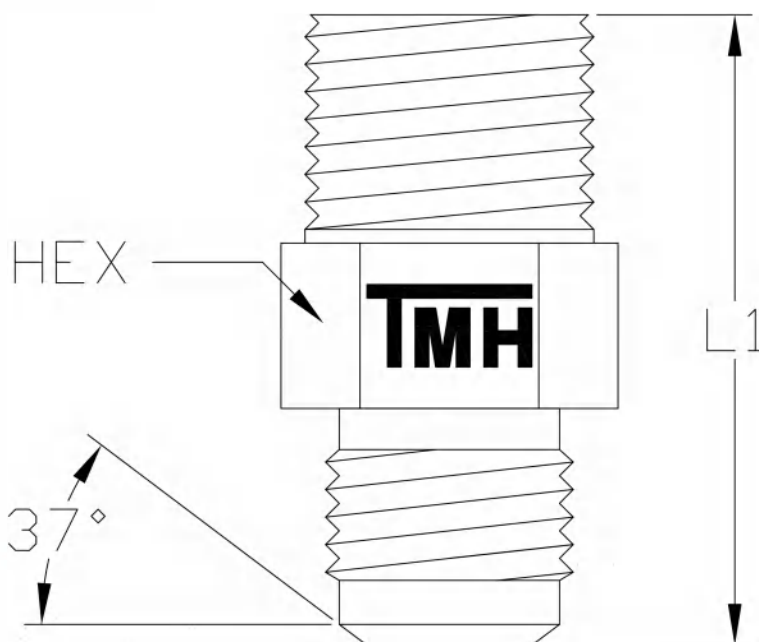
Hose Connector-2

Specification	Model No.	I.D 1	I.D 2	O.D	L1	L2	HEX	T	
AE30065	3/4*5/8	11.6	20.4	15.5	59.9	34	26.5	126.4	
AE30066	3/4*3/4	15	20.4	20.6	60	34.2	26.6	26.4	
AE30068	3/4*1	20.4	20	25	67.3	42	26.4	26.4	
AE31010	1*1	20	27	25.6	67.4	40.4	33	33.3	
AE31212	1-1/4*1-1/4	28	35	34	81	51.7	42.2	41.9	
AE32020	2*2	44.3	51.3	50.5	92	55.2	60	59.6	
AE32424	2-1/2*2-1/2	58	65.4	61	98	63.4	76.9	75.2	
AE34040	4*4	91	99.5	106	132.8	85.8	114.4	113	



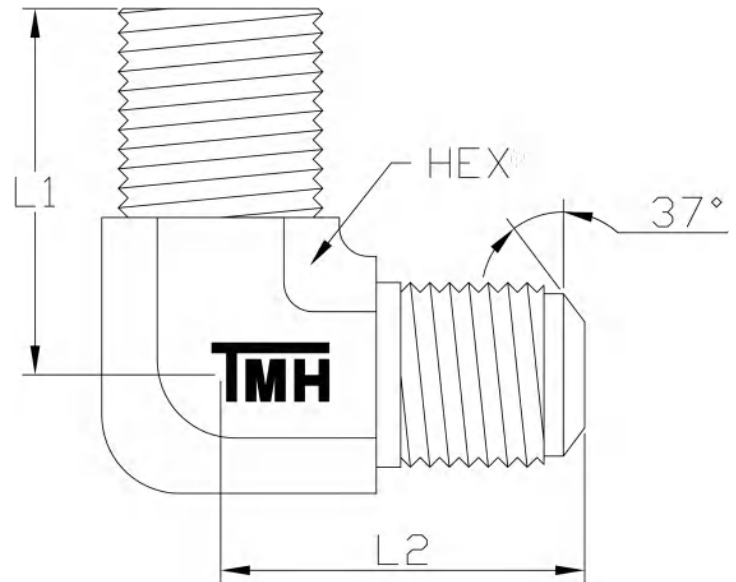
304 Stud Connector-1

Specification	Model No.	L	HEX	I.D 1	I.D 2	Thread-BSPT.1	Thread.T2
1/8PT*1/4H	AF31012	33.2	14	5	4	9.7	7/16-20
1/4PT*1/4H	AF31022	34.5	14	6.6	4	13.2	7/16-20
1/4PT*3/8H	AF31023	36.8	19	6.6	7	13.2	9/16-18
1/4PT*1/2H	AF31024	41.4	22	6.6	10	13.2	3/4-16
3/8PT*1/4H	AF31032	36.9	19	7	4.1	16.7	7/16-20
3/8PT*3/8H	AF31033	37.1	19	7	7	16.7	9/16-18
3/8PT*1/2H	AF31034	38	19	7	10	16.7	3/4-16
1/2PT*3/8H	AF31043	44.1	22	12	7	21	9/16-18
1/2PT*1/2H	AF31044	45.9	22	12	10	21	3/4-16
1/2PT*5/8H	AF31045	46	22	12	12	21	7/8-14
1/2PT*3/4H	AF31046	49.3	25	12.2	15.1	21	1-1/16"-12
3/4PT*1/2H	AF31064	48	27	15	10	26.4	3/4-16



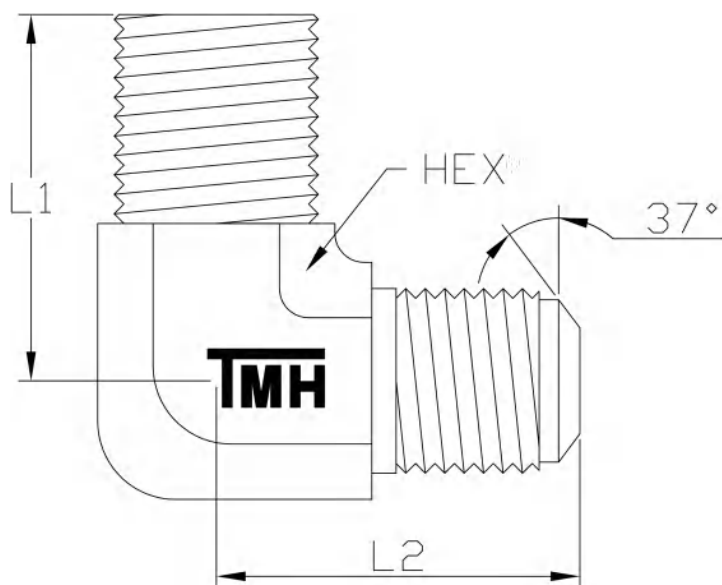
304 Stud Connector-2

Specification	Model No.	L	HEX	I.D 1	I.D 2	Thread-BSPT.1	Thread.T2
3/4PT*5/8H	AF31065	51	27	12.1	12	26.4	7/8-14
3/4PT*3/4H	AF31066	51.8	27	15	15.3	26.4	1-1/16"-12
3/4PT*1H	AF31067	57	34	15	21	26.4	1-5/16-12
1PT*3/4H	AF31106	57	33.9	15	15	33.3	1-1/6"-12
1PT*1H	AF31110	57	33.9	21	21	33.3	1-5/16-12
1PT*1-1/4H	AF3112	61.2	41.9	21.9	27.5	33.3	1-5/8"-12
1-1/4PT*1-1/4H	AF31122	62	41	27.4	27.6	41.9	1-5/8"-12
1-1/4PT*1-1/2H	AF31124	67.9	50	27.4	30.6	41.9	1-7/8"-12
1-1/2PT*1-1/4H	AF31142	67.3	50	31	27.3	47.8	1-5/8"-12
1-1/2PT*1-1/2H	AF31144	68	50	31.6	31.8	47.8	1-7/8"-12
1-1/2PT*2H	AF31147	81	64	30	42	47.8	2-1/2"-12
2PT*2H	AF31220	81	84.1	42	42	59.6	2-1/2"-12



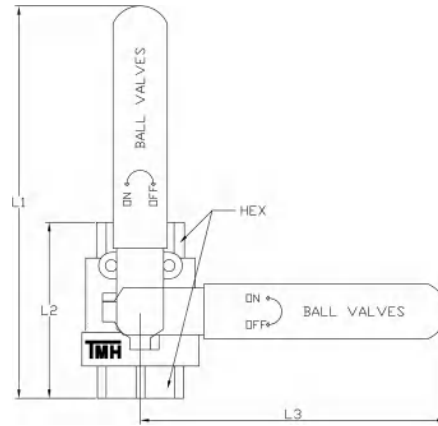
304 Forging Stud Elbow-1

Specification	Model No.	L1	L2	HEX	Thread-BSPT.1	Thread.T2	
1/4PT*1/4H	AF41022	25	26	24	13.2	7/16-20	
1/4PT*3/8H	AF41023	26	25	14	13.2	9/16-18	
1/4PT*1/2H	AF41024	31	38	22.2	13.2	3/4-16	
3/8PT*3/8H	AF41033	30	29	19	16.7	9/16-18	
3/8PT*1/2H	AF41034	33	37	22.2	16.7	3/4-16	
1/2PT*3/8H	AF41043	36	34	22.1	21	9/16-18	
1/2PT*1/2H	AF41044	37	37	22.2	21	3/4-16	
1/2PT*5/8H	AF41045	37	37	22.2	21	7/8-14	
1/2PT*3/4H	AF41046	39	40	26.6	21	1-1/16"-12	
3/4PT*1/2H	AF41064	40	38	26.9	26.4	3/4-16	
3/4PT*5/8H	AF41065	40.5	38.5	26.8	26.4	7/8-14	
3/4PT*3/4H	AF41066	40.5	40	26.8	26.4	1-1/16"-12	



304 Forging Stud Elbow-2

Specification	Model No.	L1	L2	HEX	Thread-BSPT.1	Thread.T2	
3/4PT*1H	AF41067	46	45	34	26.4	1-5/16-12	
1PT*3/4H	AF41106	46	45	34	33.3	1-1/16"-12	
1PT*1H	AF41110	46	46	33.9	33.3	1-5/16-12	
1PT*1-1/4H	AF41112	61	49	41	33.3	1-5/8"-12	
1-1/4PT*1-1/4H	AF41122	61	52.7	41	41.9	1-5/8"-12	
1-1/4PT*1-1/2H	AF41124	53	60	48.2	41.9	1-7/8"-12	
1-1/2PT*1-1/4H	AF41142	53	54.4	48.2	47.8	1-5/8"-12	
1-1/2PT*1-1/2H	AF41144	53	60	48.2	47.8	1-7/8"-12	
1-1/2PT*2H	AF4147	68.8	73.6	61	47.8	2-1/2"-12	
2PT*1-1/2H	AF41214	75.7	73.6	61	59.6	1-7/8"-12	
2PT*2H	AF41220	74	75.5	61	59.6	2-1/2"-12	



304/316 Ball Valve-Full Flow

Specification	L1	L2	L3	HEX	Thread-BSPT	
1/4	121	52	93.5	20.8	11.4	
3/8	118	52.1	93	20.6	15	
1/2	121.5	55	93.8	24.5	18.6	
3/4	135	59.8	104.1	29.9	24.1	
1"	154.3	74.2	117	37	30.3	
1-1/4"	173	83	130	46	39	
1-1/2"	216	94.9	166	53	44.9	
2"	220	107.5	166	63.5	56.7	

Brass Forging 2-PC Ball Valve Valve-Full Flow



Model No.	Size
CH00102	1/4"
CH00103	3/8"
CH00104	1/2"
CH00106	3/4"
CH00110	1"
CH00112	1-1/4"
CH00114	1-1/2"
CH00120	2"
CH00124	2-1/2"
CH00130	3"
CH00140	4"

Brass Check Valve



Model No.	Size
FH20102	1/4"
FH20103	3/8"
FH20104	1/2"
FH20106	3/4"
FH20110	1"
FH20112	1-1/4"
FH20114	1-1/2"
FH20120	2"
FH20124	2-1/2"
FH20130	3"
FH20140	4"

Brass Vertical Check Valve



Model No.	Size
HA84002	1/4"
HA84003	3/8"
HA84004	1/2"
HA84006	3/4"
HA84010	1"
HA84012	1-1/4"
HA84014	1-1/2"
HA84020	2"

Brass/Bronze Gate Valve



Model No.	Size
CH00102	1/4"
CH00103	3/8"
CH00104	1/2"
CH00106	3/4"
CH00110	1"
CH00112	1-1/4"
CH00114	1-1/2"
CH00120	2"

304/316 Vertical Check Valve



Model No.	Size
HA85104	1/4"
HA85103	3/8"
HA85104	1/2"
HA85106	3/4"
HA85110	1"
HA85112	1-1/4"
HA85114	1-1/2"
HA85120	2"

304/316 1PC Ball Valve



Model No.	Size
CH30202	1/4"
CH30203	3/8"
CH30204	1/2"
CH30206	3/4"
CH30210	1"
CH30212	1-1/4"
CH30214	1-1/2"
CH30220	2"

304/316 Y Type Strainer



Model No.	Size
DY31104	1/4"
DY31103	3/8"
DY31104	1/2"
DY31106	3/4"
DY31110	1"
DY31112	1-1/4"
DY31114	1-1/2"
DY3120	2"



FUEL RUBBER HOSE

REP: MIL-ZZ-H-428D, TABLE II, TYPE I CNS-A615.C1603

SIZE	ID	OD	PLY	W	W.P.	B.P.	FLEX	STEEL	L
INCH	MM	MM	N	KG/M	PSI	PSI	CM/ID	MM	M/R
3/4	19	28	2	0.5	80	320	15	1.4	20
1	25.4	36	2	1	75	280	18	1.5	20
1-1/4	32	42	2	1.2	70	220	21	1.6	20
1-1/2	38.4	50	2	1.5	65	200	25	1.6	20
1-3/4	44	56	2	1.8	60	180	28	1.7	20
1-7/8	47	60	2	1.8	60	180	28	1.7	20
2	50.8	64	2	2	60	180	30	1.7	20
2-1/2	63.5	80	2	2.8	50	150	40	2.4	20
3	76	93	3	3.6	50	150	50	2.4	20
3-1/2	89	108	3	4.2	48	125	60	3	20
4	101	120	3	5	48	125	70	3	20
5	127	145	4	7	48	125	80	3.6	10
6	152	172	4	9	45	120	100	3.6	10
7	177	200	5	10.5	45	120	120	3.8	10
8	204	228	5	12	45	120	150	4	10
10	254	280	6	15	30	100	220	4.2	10
12	305	330	6	18	30	100	300	4.5	10



WATER & HEAT-RESISTANCE

						SAE:J1527	CNS-B II 514-C1603			
SIZE	ID	OD	PLY	W	W.P.	B.P.	FLEX	STEEL	L	
INCH	MM	MM	N	KG/M	PSI	PSI	CM/ID	MM	M/R	
3/4	19	28	2	0.5	80	320	15	1.4	20	
1	25.4	36	2	1	75	280	18	1.5	20	
1-1/4	32	42	2	1.2	75	220	21	1.6	20	
1-1/2	38.4	50	2	1.5	70	200	25	1.6	20	
1-3/4	44	56	2	1.8	65	180	28	1.7	20	
1-7/8	47	60	2	1.8	65	180	28	1.7	20	
2	50.8	64	2	1.9	65	180	30	1.7	20	
2-1/2	63.5	80	2	2.6	55	165	40	2.4	20	
3	76	93	3	3.5	55	165	50	2.4	20	
3-1/2	89	108	3	4	50	135	60	3	20	
4	101	120	3	4.8	50	135	70	3	20	
5	127	145	4	6.8	50	135	80	3.6	10	
6	152	172	4	8.5	48	125	100	3.6	10	
7	177	200	5	10	48	125	120	3.8	10	
8	204	228	5	11.5	48	125	150	4	10	
10	254	280	6	14	45	120	220	4.2	10	
12	305	330	6	17	45	120	300	4.5	10	



TEST REPORT

I ORIGINAL PROPERTIES		
	SPEC.	RESULT
HARSNESS (JIS)	60±5	62
TENSILE STRENGTH (kg/cm ²)	>150	165
%MODULUS (kg/cm ²)
ELONGATION (%)	>200	245
TEAR RESISTANCE (kg/cm)
FLEX LIFE (cycle)	>20M	22M
AVRASION LOSS (cc)
II HEAT RESISTANCE 150°C *70hr		
	SPEC.	RESULT
HARSNESS CHANGE	<+20	15
TENSILE CHANGE (%)	<-30	-21
ELONGATION CHANGE (%)	<-40	-34
TEAR CHANGE (%)
FLEX LIFE CHANGE (%)	<-20	-16
ABRASION CHANGE (%)

III COMPRESSION TEST		
	SPEC.	RESULT
100°C* 70hr	<35	28
IV OILRESISTANCE 100°C * 70hr		
OIL TYPE:	NO.1	NO.2
HARDNESS CHANGE	-3	+5
TENSILE CHANGE (%)	-22	-30
ELONGATION CHANGE (%)	-25	-35
VOLUME CHANGE (%)	+5	+9
V		
BRITTLENESS TEMPERATURE
VI		
OZONE RESISTANCE pphm* °C* hr %EXTENDED






**INHERITED
INTEGRITY
INNOVATION**

HEADQUARTER

 +886 7 7889596  +886 7 7887895  eric_huang@xiang-yi.com

 No.873-1, Sec. 1, Guangming Rd., Daliuo Dist., Kaohsiung City 831, Taiwan (R.O.C.)

XIAMEN OFFICE

 +86-592 6511736  +86-592 6511736  +86-183-5028-6553

-OVERSEAS BUSINESS

 +86-130-4591-6709  robin@xiang-yi.com

 No.2 Xiamei Road, Xinyang Industrial estate, Haicang District, Xiamen, Fujian, China.

